

DIXIE-NARCO

SERVICE MANUAL

 **MODELS —**

SERPENTINE - WITH ACCESS DOOR

DN 150-5

DN 175-5

DN 180-5

DN 215-5

DN 240-5

DN 275-5

DN 310-5

DN 365-5

DN 372-6

DN 438-6

DN 225-5

DN 300-5

DN 360-6

WARRANTY

Dixie-Narco warrants to the original purchaser of a Dixie-Narco unit all parts thereof (except light bulbs, fuses, or finish) to be free from defects in material and workmanship, under normal use and service for a period of 15 months from the date of shipment of the unit from either our plant or warehouse.

The term "original purchaser" as used in this warranty shall be deemed to mean that person, firm, association, or corporation to which the machine was sold originally.

Dixie-Narco's obligation under this warranty is limited to repairing or replacing without charge any part which upon our examination and to our satisfaction was defective in material or in workmanship and which failed under normal operating conditions and service.

The hermetically sealed refrigeration system, consisting of the motor compressor, condenser, evaporator and the refrigerant tubing is warranted for a total period of five (5) years and three (3) months from date of shipment.

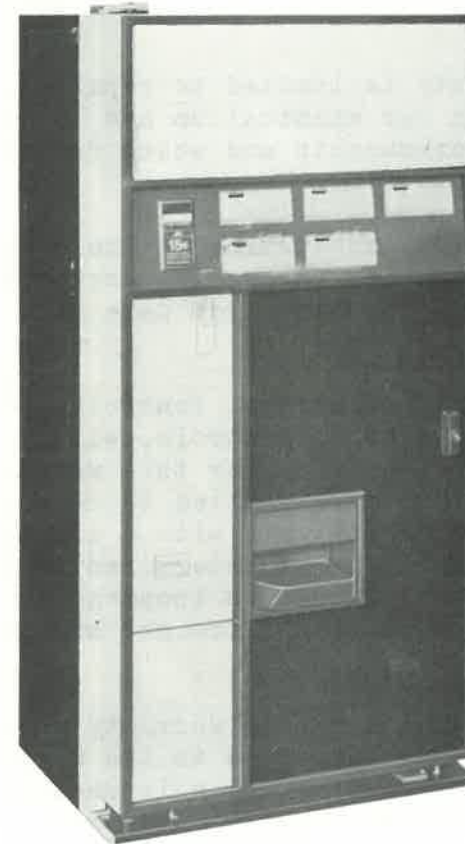
The five year warranty does not apply to any electrical controls, fan motors, overload switches, starting relays, temperature controls, wiring harnesses, cabinet or finish. Dixie-Narco's obligation under this warranty on the sealed refrigeration system referred to above is limited to repairing and returning or replacing at Dixie-Narco's option any unit with a similar unit when upon examination and to our satisfaction it was determined to have been defective. If our examination reveals that the unit is inoperative because of a defective accessory, both cost of repairs and freight charges will be paid by the customer.

Dixie-Narco will pay transportation charges under this warranty on all parts replaced or repaired when transportation has been made in the most economical way. If special handling or special transportation is used or requested, the charges will be paid by the customer.

This warranty only applies to units located within the United States and when operated in normal conditions and with electrical power supplies of 110/120 volts, 60 cycle. Further, the warranty is voided when a unit or any part has been subject to misuse, neglect, alteration without proper authorization, accident, or damage caused by transportation, flood, civil disorder, fire or the acts of God.

"Return Material Tags" indicating model number of unit, serial number, and explanation of defect, must accompany all returned parts or units. "Return Material Tags" will be furnished upon request.

TITLE PAGE



DN150-5
DN175-5

Height: 56-9/16
Width: 28
Depth: 22
Shipping Weight: 395

Capacity:
DN150-5, 12 oz. Can: 150
DN175-5, 12 oz. Can: 175

DN180-5
DN215-5

Height: 56-9/16
Width: 28
Depth: 24-3/4
Shipping Weight: 415

Capacity:
DN180-5, 12 oz. Can: 180
DN215-5, 12 oz. Can: 215

TITLE PAGE

DN225-5

Height: 65-5/16
Width: 28
Depth: 22
Shipping Weight: 415

Capacity:
DN215-5, 12 oz. Can: 215



DN372-6
DN438-6

Height: 79-3/8
Width: 36-3/4
Depth: 24-3/4
Shipping Weight: 635

Capacity:
DN372-6, 12 oz. Can: 372
DN438-6, 12 oz. Can: 438

DN240-5
DN275-5

Height: 65-5/16
Width: 28
Depth: 24-3/4
Shipping Weight: 435

Capacity:
DN240-5, 12 oz. Can: 240
DN275-5, 12 oz. Can: 275

DN300-5

Height: 78-1/16
Width: 28
Depth: 22
Shipping Weight: 500

Capacity:
DN300-5, 12 oz. Can: 300

DN310-5
DN365-5

Height: 78-1/16
Width: 28
Depth: 24-3/4
Shipping Weight: 525

Capacity:
DN310-5, 12 oz. Can: 310
DN365-5, 12 oz. Can: 365

DN360-6

Height: 79-3/8
Width: 36-3/4
Depth: 22
Shipping Weight: 605

Capacity:
DN360-5, 12 oz. Can: 360

C O N T E N T S

WHAT TO DO WHEN YOU GET A NEW VENDER	
Set it up	4
Load the vender	4
Check it out	6
Put it to work	6
HOW THE VENDING MECHANISM WORKS	
Electrical parts	8
Study - vending cycle & across the line wiring diagram . . .	12
Vend cycle	13
HOW TO TAKE CARE OF THE VENDER	
What to clean	15
When and what to lubricate	15
Things to adjust	16
How to correct common vending troubles	20
HOW THE REFRIGERATION SYSTEM WORKS	
Mechanical parts	23
Electrical parts	24
Electrical operation	26
Electric circuits & circuit diagrams	28
Refrigeration cycle	32
HOW TO TAKE CARE OF THE REFRIGERATION SYSTEM	
What to clean	33
When and what to lubricate	33
Correcting troubles	33
How to correct common refrigeration troubles	35
WIRING DIAGRAMS	44
PARTS LIST	P-1

WHAT TO DO WHEN YOU GET A NEW VENDER

__SET IT UP__

KEYS

Keys are inside the coin return cup.

SERIAL NUMBER PLATE

The serial number plate is attached to the right side of the cabinet.

COIN MECHANISM

The coin mechanism may already be fastened in place.

If it is not, do this:

1. Open the access door.
2. Remove the slug rejector.
3. Line the three holes in the coin mechanism with the three screws and push the coin mechanism over the three screws. Let the coin mechanism drop down onto the screws.
4. Reinstall the slug rejector.
5. Connect the changer plug to the socket.

APPLICATION OF CUSTOMER INSTRUCTION PLATE

1. Clean and dry the surface of the inset in the selector panel.
2. Remove the "backing" from the plate (pressure sensitive).
3. Apply to the surface of the inset and press or roll firmly in place.

__LOAD THE VENDER__

ADJUSTMENTS

1. No adjustments are necessary.

LOAD THE COOLER

1. The vend stacks and vend mechanism are set up for standard 12 oz. cans, including aluminum cans.
2. Load all stacks with desired cans.
3. Each stack has serpentine type racks toward the bottom and 4 or 5 parallel ramps at its top. At the back of each ramp there is a wire form gate which allows the ramp above to empty first.
4. Load the stacks through the top ramp until this ramp is full. This assures that the wire form gates are closed in the other ramps.

Reloading

1. When reloading a stack, if the parallel ramps are empty, the procedure is the same as in initial loading above. Remember to load the top ramps first.

WHAT TO DO WHEN YOU GET A NEW VENDER (Cont.)

LOAD THE VENDER (Cont.)

Reloading (Cont.)

2. When reloading a stack, if one of the ramps is partially empty, pull the remaining cans out of this ramp and drop them in the top ramp. Make sure all the wire form gates are closed. Finish loading the top ramp and then the other ramps.

OPERATIONAL CHECKS

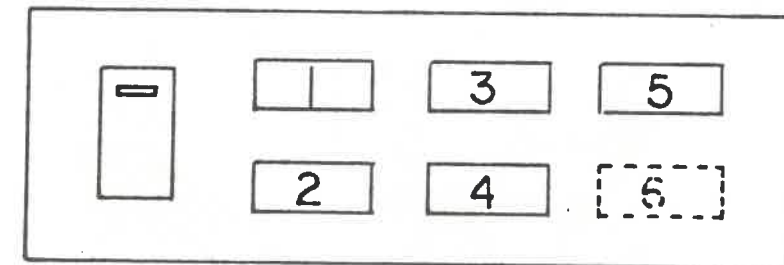
1. Plug service cord into outlet with correct voltage. (See serial number plate.) Do not use extension cords with less than 16 gauge wire.
2. The vender must be grounded. If 3 prong outlet is available, plug vender directly into outlet. If 3 prong outlet is not available, plug vender into 2 prong outlet, using 2 prong adaptor. Be sure to ground "pigtail" on adaptor.
3. Make sure that nothing obstructs air intake at bottom of door. Check rear of cabinet occasionally to be sure that exhaust is not blocked by waste paper, etc.

CARE AND MAINTENANCE

1. Exterior cleaning. Wash cabinet periodically with soap and water. Wax often, using a good automotive wax. DO NOT WAX WOODGRAIN FINISH OR PLASTIC FINISH.
2. If corrosion occurs on cabinet interior, rub it off with fine steel wool and paint over spot with aluminum paint.
3. Keep condenser clean. Use brush or vacuum cleaner to remove dust accumulation from condenser.

PRODUCT SELECTION

Models have 5 or 6 product selections. The vend stacks are numbered 1 thru 5 or 6 from left to right. The corresponding selections on the front door selector panel are as in sketch below:



WHAT TO DO WHEN YOU GET A NEW VENDER (Cont.)

__CHECK IT OUT__

<u>What To Do</u>	<u>What Should Happen</u>	<u>What Shouldn't Happen</u>
Plug the supply cord in, close the vender door.	The compressor runs. The condenser fan runs. The evaporator fan runs. "Correct change only" window lights.	The Refrigerant lines rattle.
Put in correct change.	Push the select button to dispense a can.	
Load the money tubes and put a quarter into the vender.	A can may be dispensed from the vend mechanism and correct change is returned.	
Fully load the vender with warm cans and let it run over night, then vend a can from each vend stack.	The first can vended has a temperature of 32° to 34°F.	Some cans are frozen or the next to be vended cans are above the temperature of 38°F.

__PUT IT TO WORK__

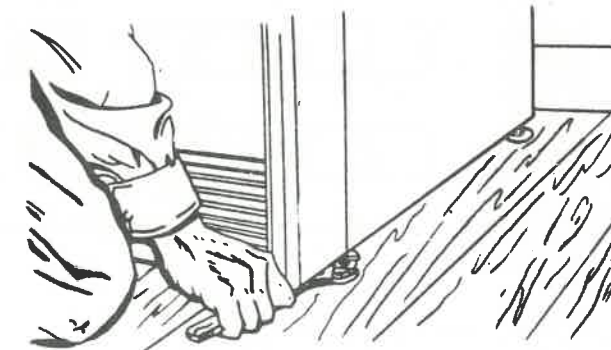
SPACE NEEDED

Size of the working space needed around the vender is shown on the title page of this manual. DO NOT block the rear of the vender. Keep the vender 4 inches from the wall to provide adequate ventilation for the condenser. Make sure that nothing obstructs air intake at the bottom of the door.

LEVEL THE VENDER

Level the vender. When the vender is level then the door can be opened to any position and it will not move by itself. Try it half closed, straight open and wide open before you decide that the vender is level.

Make sure that all of the leveling screws are touching the floor.



Level The Vender

WHAT TO DO WHEN YOU GET A NEW VENDER (Cont.)

__PUT IT TO WORK__ (Cont.)

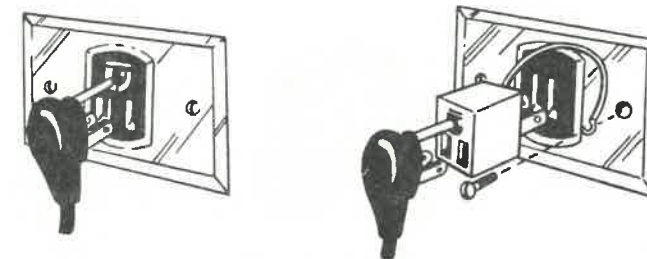
ELECTRIC POWER NEEDED

Look at the serial number plate on the right side to find out what the vender's power needs are. Be sure that the vender gets the right power.

The venders use 115 volts single phase, either 50 or 60 cycle, alternating current. The voltage must never be lower than 90 or above 125.

GROUND THE VENDER

This vender is made with a three prong plug on the supply cord. It grounds when the plug is put into a three prong outlet. If there is no three prong outlet near the vender, use the two prong adaptor that is shipped with the vender. If you use a two prong adaptor, make sure the adaptor's ground wire is connected to a good ground.

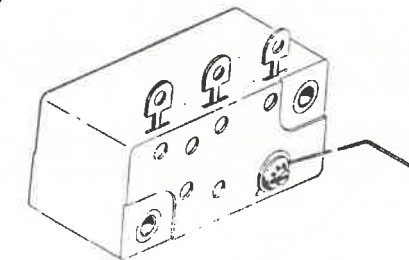


Ground The Vender

HOW THE VENDING MECHANISM WORKS

— ELECTRICAL PARTS —

VEND SWITCH (Coin Changer)



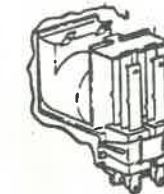
Vend Switch

The vend switch is located below the slug rejector and is fastened to the coin changer housing with two screws and nuts.

The N.O. contact of the vend switch is in the vend relay coil circuit. This N.O. contact closes and completes the vend relay coil circuit.

The N.C. contact of the vend switch is in the vend solenoid coil circuits. This N.C. contact closes in the vend solenoid coil circuits to set up these circuits so that a flavor selection can be made.

VEND RELAY



Vend Relay

The vend relay is located in the junction box behind the access door. The vend relay consists of two switches, both of which are N.O.

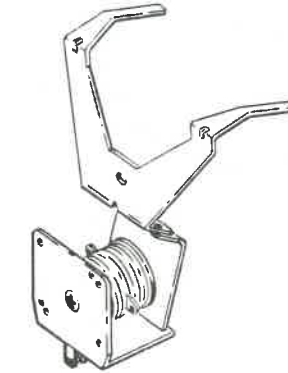
The N.O. vend relay switch #1 is in the vend relay coil circuit. When the vend relay coil circuit is completed, vend relay switch #1 closes in the vend relay coil circuit to keep this circuit completed.

The N.O. vend relay switch #2 is in the vend solenoid coil circuits. This N.O. contact closes in the vend solenoid coil circuits to set up these circuits so that a flavor selection can be made.

HOW THE VENDING MECHANISM WORKS (Cont.)

ELECTRICAL PARTS (Cont.)

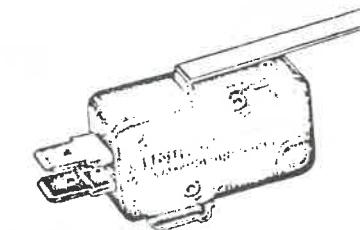
COIN RETURN MAGNET



Coin Return Magnet

The coin return magnet is fastened to the coin mechanism behind the slug rejector. Except when all circuits are sold out, the coin changer magnet circuit is completed.

RESET SWITCH



Reset Switch

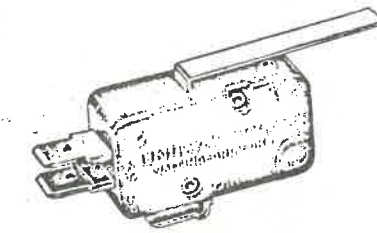
The reset switch is located behind and below the left end of the reset bar.

The N.C. contact of the reset switch (there is no N.O. contact) is in the vend relay coil circuit. The N.C. contact of this switch, worked by the reset bar, opens and breaks the vend relay coil circuit.

HOW THE VENDING MECHANISM WORKS (Cont.)

ELECTRICAL PARTS (Cont.)

SELECT SWITCH



Select Switch

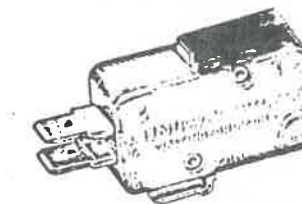
The select switch for each of the five (5) or six (6) select circuits is located on the selector panel behind the select button and is fastened with two (2) bolts and nuts.

Select Switches #1, 2, 3, 4, 5 and 6.

Each select switch consists of one (1) N.O. contact and one (1) N.C. contact.

When a selector button is "pushed", the N.O. contact of one (1) of the select switches closes and completes the vend solenoid coil circuit. The N.C. contact opens.

SOLD OUT SWITCH



Sold Out Switch



2-Switch Cluster

The sold out switches (two switches for each vending stack) are located on a bracket above the vend mechanism and are fastened side by side with two (2) bolts and nuts.

Sold Out Switches #1A, 2, 3, 4, 5 and 6.

Each sold out switch consists of one (1) N.O. contact. (There is no N.C. contact.) A can pushes the sold out switch actuator to keep the N.O. contact of the sold out switch closed in the solenoid coil circuit. When a can is not pushing against the sold out switch actuator, the N.O. contact of the sold out switch, opens in the solenoid coil circuit.

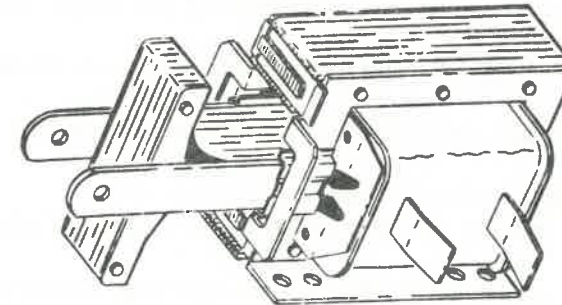
Sold Out Switches #1A, 2A, 3A, 4A, 5A and 6A.

Each sold out switch consists of one (1) N.O. contact and one (1) N.C. contact. The N.O. contact of each switch is in the coin changer magnet circuits. A can pushes the sold out switch actuator to keep the N.O. contact of the sold out switch closed in the coin changer magnet circuits. When a can is not pushing against the sold out switch actuator, the N.O. contact of the sold out switch opens and breaks the coin changer magnet circuits and at the same time, the N.C. contact of the sold out switch closes and completes the sold out lamp circuit.

HOW THE VENDING MECHANISM WORKS (Cont.)

ELECTRICAL PARTS (Cont.)

VEND SOLENOID

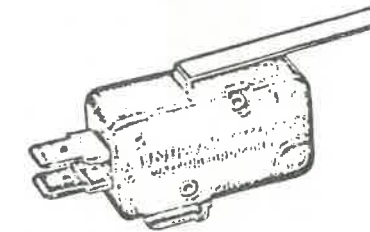


Vend Solenoid

The vend solenoid is located beneath and secured by four (4) lock nuts to the underside of the vend mechanism.

The vend solenoid coil circuit is completed by the closing of the N.O. select switch.

HOLD SWITCHES #1, 2, 3, 4, 5 and 6.



Hold Switch

The hold switch (one for each vending circuit) is fastened with two (2) bolts and speed nut to a bracket on the underside of the vend mechanism.

Each hold switch consists of one (1) N.O. contact and one (1) N.C. contact.

The N.C. contact of the hold switch closes and keeps the solenoid coil circuit completed when the solenoid works the linkage.

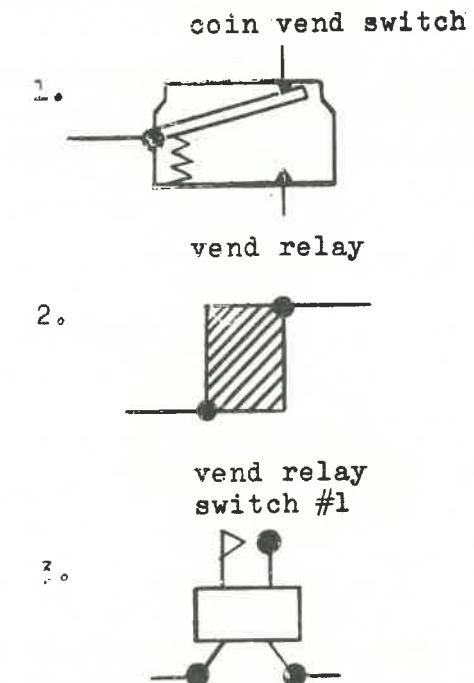
The N.O. contact (held closed by the linkage) of the hold switch opens in all of the other solenoid coil circuits when the solenoid works the linkage to keep these solenoid coil circuits open during the vend cycle.

VENDING CYCLE AND
STUDY -
ACROSS THE LINE WIRING DIAGRAM

Study the written vending cycle beginning on Page 13 in connection with the across the line wiring diagram. The Across The Line Wiring Diagram can serve as an excellent "trouble shooting chart".

Example: Vender accepts coin.
Vend relay is energized but immediately "pops" out.

Do This: Look at Across The Line Wiring Diagram and locate:



- Observations:
1. Vend relay coil is the affected circuit.
 2. N.O. coin vend switch is in the vend relay coil circuit.
 3. N.O. Vend Relay Switch #1 is also in the vend relay coil circuit.
 4. N.O. Vend Relay Switch #1 is the "holding switch" for this circuit.

- Conclusions:
1. N.O. Vend Relay Switch #1 did not "hold" or keep the circuit closed.

Why?

- Check:
1. Gap between contacts (too far apart).
 2. Dirt between contacts.
 3. Weak coil on Vend Relay.

HOW THE VENDING MECHANISM WORKS (Cont.)

VEND CYCLE

<u>What Does It</u>	<u>What Happens</u>
A coin	Pushes the vend switch arm down and;
The N.O. contact of the vend switch	Closes and completes the vend relay coil circuit.
The Vend Relay Coil	Closes the N.O. contact of Vend Relay Switch #1 in the vend relay coil circuit and, at the same time, Closes the N.O. contact of vend relay switch #2 in the vend solenoid coil circuit.
A spring (in the vend switch)	Pulls the vend switch arm back up.
The N.C. contact of the Vend Switch	Closes in the vend solenoid coil circuit.
The customer	Pushes a select button
The select button	Works the N.O. contact select switch
The N.O. contact of the select switch	Closes and completes the vend solenoid coil circuit.
The Vend Solenoid	Pulls the solenoid linkage and,
The linkage	Works the N.C. and the N.O. contacts of the hold switch and, at the same time, Pulls the vend platform down and, at the same time,
The N.C. contact of the Hold Switch	Closes in and keeps the Vend Solenoid Coil Circuit completed and, at the same time,
The N.O. contact of the Hold Switch	Opens to break all of the other vend solenoid coil circuits, and,
A can	Is dispensed, and
The can	Strikes the reset bar
The Reset Bar	Works the N.C. contact of the reset switch and
The N.C. contact of the Reset Switch	Opens and breaks the vend relay coil circuit and

HOW THE VENDING MECHANISM WORKS (Cont.)

__VEND CYCLE__ (Cont.)

<u>What Does It</u>	<u>What Happens</u>
The spring of the Vend Relay Coil	Opens the N.O. contact of Vend Relay Switch #1 in the Vend Relay Coil Circuit and, at the same time,
The Vend Solenoid	Opens the N.O. contact of Vend Relay Switch #2 in the Solenoid Coil Circuit and,
The Solenoid Linkage (spring loaded)	Opens and,
The N.C. contact of the Hold Switch	Pulls the vend platform to its original position, and at the same time,
The N.O. contact of the Hold Switch	Opens in the Vend Solenoid Coil Circuit and,
The Reset Bar	Closes in the Vend Solenoid Coil Circuit and,
The N.C. contact of the Reset Switch	Drops back to its original position, works the switch arm, and,
The machine	Closes in the Vend Relay Coil Circuit.
	Is now in stand-by position ready to accept a coin again.

HOW TO TAKE CARE OF THE VENDER

WHAT TO CLEAN

CABINET

Wash the vender exterior with either soap and warm water or a good detergent and warm water.

Wash all plastic parts with a mild soap and warm water.

The vender should be waxed often with a good grade of automobile wax.

Any corrosion inside the vender should be removed with fine steel wool and the area should be painted with aluminum paint.

SLUG REJECTOR

Use a clean cloth to remove loose dirt. A dirty rejector should be cleaned with hot water and a good detergent. Dry it with a clean cloth.

Lubricate only the moving parts of the slug rejector. Oil should not be used on these moving parts.

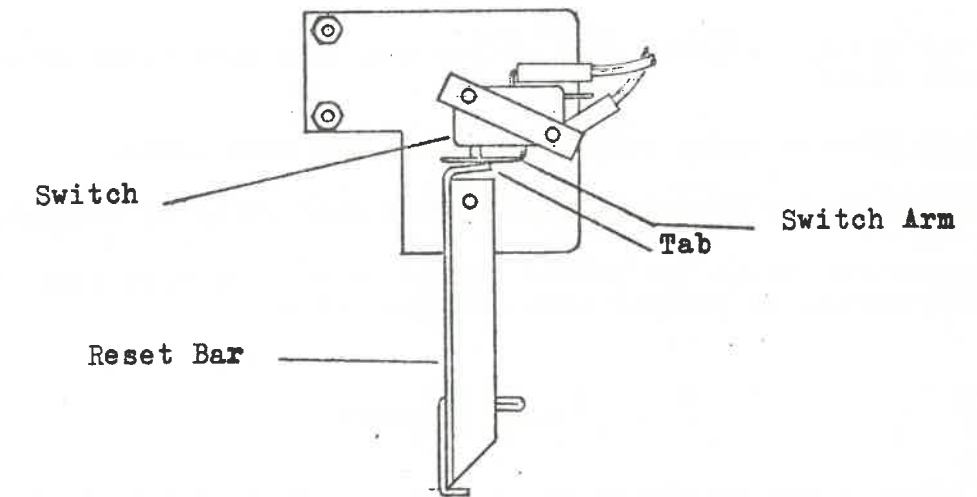
WHEN AND WHAT TO LUBRICATE

How Often	Part	Lubricant
Every Four months	Vend Mechanism 1. Linkage area 2. Pivot points of platform.	Mechanics Friend Mechanics Friend
	Reset Bar Assembly 1. At pivot points of reset bar.	Mechanics Friend
Every Six months	Main Door 1. Lock bolt and nut.	Mechanics Friend
Every Year	2. Door gasket, hinge side.	Slipicone

HOW TO TAKE CARE OF THE VENDER (Cont.)

THINGS TO ADJUST

SWITCH ARM - RESET BAR

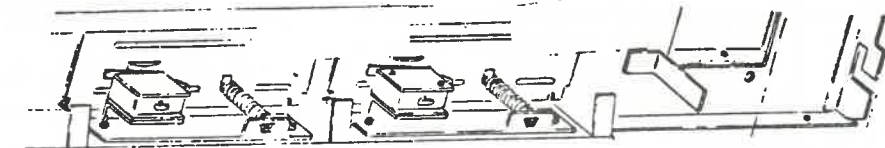


Switch Arm - Reset Bar

If the reset switch is not breaking soon enough or not at all, do this:

1. Bend the "tab" of the reset bar in direction required.

SELECT SWITCH



Select Switch

To adjust the select switch as required, do this:

1. There are two (2) bolts which fasten the switch to the bracket.
2. Loosen the bolt with the NUT on it - - - pivot the switch in the direction required.

HOW TO TAKE CARE OF THE VENDER (Cont.)

HOW TO TAKE CARE OF THE COOLER

THINGS TO ADJUST

TEMPERATURE CONTROL - Ranco #A12-1558
Cutler Hammer #9531N43

This is a "Constant Cut-In" type of control which has two (2) adjustments:
They are:

1. The temperature control cam on the outside of the temperature control box.
2. The inside range screw which is under the fibre cover of the temperature control box of the RANCO, and on the side wall of the Cutler-Hammer (near terminal cover).

NOTE: The differential screw located between the terminals of the control is sealed and MUST NOT BE CHANGED.

As to #1 Adjustment:

The temperature control cam is set in an approximate neutral position. It can be used to make cut-out temperature colder by turning the cam clockwise - or - to make the cut-out temperature warmer by turning the cam counter-clockwise. When the cam is used the cut-in temperature (which governs the defrost) remains constant.

As to #2 Adjustment:

The inside range screw or screws are used for the altitude adjustment, see altitude below. This screw adjusts both the cut-out and cut-in settings on the RANCO. It may also be used for colder temperatures by turning the screw counter-clockwise or warmer by turning screw clockwise.

On the Cutler-Hammer, there are two (2) screws provided, one (1) for cut-in and one (1) for cut-out, both must be adjusted for altitude corrections. For temperature adjustment, turn screws clockwise for colder and counter-clockwise for warmer. When adjusting for temperature DO NOT TURN more than 1/8 of a turn at a time. Let the machine run over night before making further adjustments.

TEMPERATURE CONTROL ALTITUDE ADJUSTMENT

Control is factory set at altitude of 500 ft. For higher altitudes, control should be adjusted to prevent freeze-up of product. Adjust inside range screw as follows:

<u>ALTITUDE FT.</u>	<u>RANCO</u> <u>SCREW CLOCKWISE</u>	<u>CUTLER-HAMMER</u> <u>BOTH SCREWS COUNTER-CLOCKWISE</u>
2000	1/4 turn	1/8 turn
4000	1/2 turn	1/4 turn
6000	3/4 turn	1/2 turn
8000	1 turn	5/8 turn

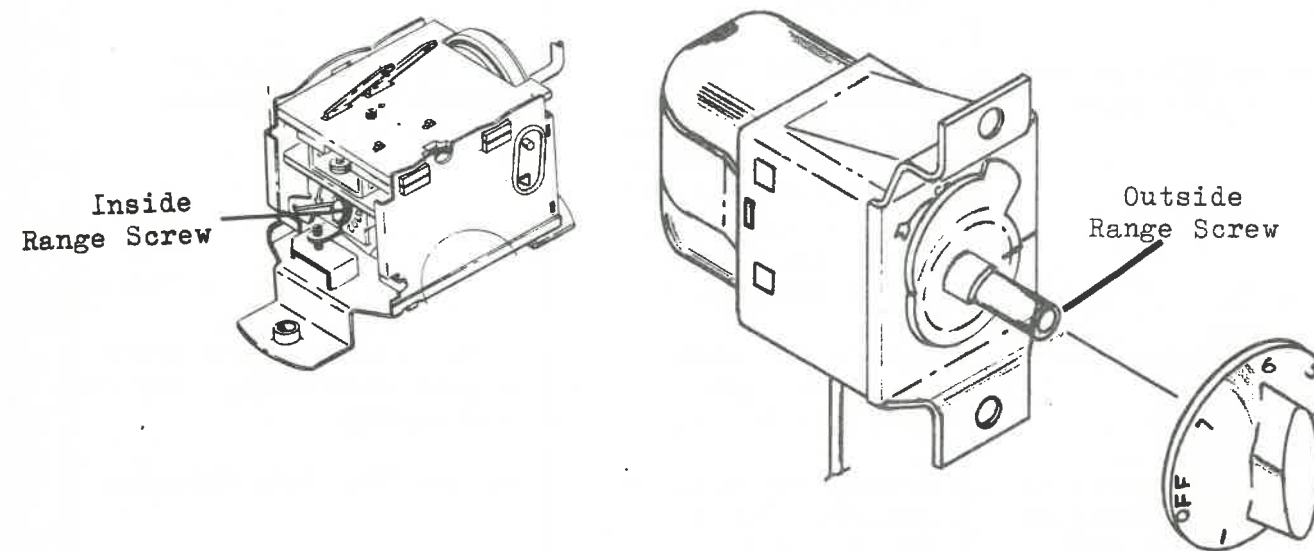
(SEE CONTROL VIEWS - PAGE 19)

HOW TO TAKE CARE OF THE VENDER (Cont.)

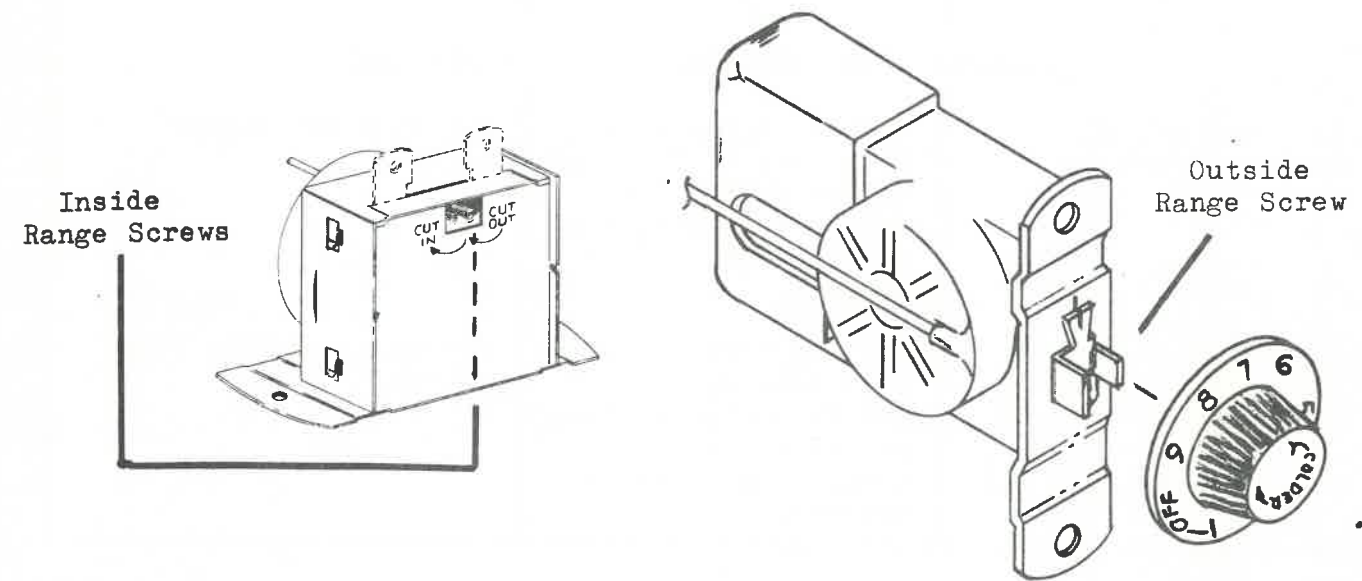
- THINGS TO ADJUST - (Cont.)

TEMPERATURE CONTROL

RANCO



CUTLER - HAMMER



HOW TO CORRECT COMMON VENDING TROUBLES

REJECTS ALL GOOD COINS

A Possible Cause Is	To Make Sure	This Is What To Do
Vender not plugged in	Look, if not	Plug the vender in.
Slug rejector is neither vertical nor level	Look at it and try a coin, if coin is rejected,	Level the vender.
Blocking fingers remain in coin path	Remove the Slug Rejector - unplug the vender. Touch prods of test lamp to either side of electro magnet coil, lamp should light, if it doesn't,	Put in a new coil or magnet coil assembly.
The coin paths are dirty	Remove the slug rejector, look at it, if it is dirty,	Clean it with warm water a good detergent. Dry it thoroughly.
The slug rejector is out of adjustment or the scavenger gate is not closed.	Remove the slug rejector. Put a coin in, if it rejects the coin	Adjust the slug rejector.
Low voltage	Check with a volt-meter, if voltage is low,	Correct with location outlet.
<u>ACCEPTS COINS BUT DOES NOT LET A CAN DROP</u>		
N.O. Contact of Select Switch #1	Put the prods of a test lamp to N.O. and C. contacts. Push switch arm down, lamp should light, if it doesn't,	Put in a new Select Switch.
N.O. contact of Sold Out Switches (1,2,3,4,5 & 6) and (1A,2A,3A,4A,5A & 6A)	Put the prods of a test lamp to N.O. and C. contacts. Push switch arm up, lamp should light, if it doesn't,	Put in a new Sold Out Switch.

HOW TO CORRECT COMMON VENDING TROUBLES (Cont.)

ACCEPTS COINS BUT DOES NOT LET A CAN VEND (Cont.)

A Possible Cause Is	To Make Sure	This Is What To Do
N.C. contact of Hold Switch	Put the prods of a test lamp to N.O. and C. contacts. Lamp should light, if it doesn't,	Put in a new Hold Switch.
N.O. Contact of Hold Switch	Put the prods of a test lamp to N.O. and C. contacts. Lamp should light, if it doesn't	Put in a new Hold Switch.
N.C. contact of Reset Switch	Put the prods of a test lamp to N.C. and C. contacts(held closed by Reset Bar). Lamp should light, if it doesn't,	Put in a new Hold Reset Switch
Vend Switch	Put the prods of a test lamp to N.C. and C. contacts, lamp should light, if it doesn't, Put the prods of a test lamp to N.O. and C. contacts. Push the Switch Arm down, lamp should light, if it doesn't,	Put in a new Vend Switch. Put in a new Vend Switch.
Vend Relay Coil	Put the prods of a test lamp to either side of the coil. Lamp should light, if it doesn't,	Put in a new Vend Relay or Coil.
N.O. Contact of Vend Relay Switch #21 or N.O. Contact of Vend Relay Switch #2	Energize Vend Relay Coil. If contact does not touch or if it touches and then opens,	Adjust contact to correct gap or clean contact with "Cobehn".
Vend Solenoid will not operate	Unplug the vender. Put prods of test lamp to either side of the coil. Lamp should light, if it doesn't,	Put on a new solenoid.
Solenoid Linkage Assembly loose or broken	Look, and if it is,	Repair or put in new Solenoid Linkage Assembly.

HOW TO CORRECT COMMON VENDING TROUBLES (Cont.)

ACCEPTS COINS BUT VENDS NO CANS
 THAT IS, ALL VENDING CIRCUITS ARE BROKEN

A Possible Cause Is	To Make Sure	This Is What To Do
N.C. contact of Reset Switch Open	Check for stuck or sluggish Reset Bar	Lubricate
N.O. Contact of Vend Relay Switch #1 not closing or holding	Check for open gap at contact	Adjust
N.O. Contact of Vend Relay Switch #2 not closing or holding	Check for open gap at contact	Adjust
N.O. contact or one or more hold switches is open	1. Check to see if Solenoid linkage is keeping N.O. contact closed. 2. Check for loose terminal connection.	1. Correct 2. Secure
Terminals of Socket and Plug connections loose or socket-plug connections apart between door and cabinet.	Check to see and if they are,	Secure

HOW THE REFRIGERATION SYSTEM WORKS

MECHANICAL PARTS

COMPRESSOR MOTOR

The compressor motor (sealed in the compressor housing) drives the compressor with a shaft that is shared by both parts.

COMPRESSOR

The compressor (sealed in the compressor housing) sucks cold, low pressure freon gas from the evaporator and pumps hot, high pressure freon gas out to the condenser.

CONDENSER

The condenser, located in the base of the vender, at the front, takes heat out of the hot, high pressure gas that comes from the compressor. The gas loses heat as it goes through the condenser coils, and changes into a liquid because it is still under high pressure.

CONDENSER FAN

The condenser fan (between the condenser and motor compressor) first sucks air from the outside of the vender through the condenser. This air takes heat from the condenser first and then is blown over the compressor housing from which it also takes heat before going back outside of the vender. The condenser fan runs when the motor compressor runs.

MOLECULAR STRAINER DRYER

The molecular strainer dryer is in the liquid line between the condenser and the capillary tube. This dryer traps and holds water molecules but lets oil molecules and freon molecules go through into the capillary tube.

CAPILLARY TUBE

The capillary tube (between the condenser and the evaporator in the refrigerant line) has a very small inside diameter, so the flow of the liquid freon from the condenser into the evaporator is slow, but steady, even with the pressure the compressor builds up in the condenser. This helps to keep the pressure in the evaporator low.

EVAPORATOR

The evaporator (in the vender cabinet) takes heat from the air in the vender cabinet and gives this heat to the liquid refrigerant. The liquid refrigerant is evaporated (boiled off) as a gas, and the gas is sucked out by the compressor and so the pressure is kept low.

EVAPORATOR FAN

The evaporator fan sucks warm air from around the cans in the cooling compartment and blows it across the evaporator. As the air goes across the evaporator, it gives up heat to the evaporator, then goes back to the cans, and takes heat from them. This fan runs all the time when the vender is plugged in.

HOW THE REFRIGERATION SYSTEM WORKS (Cont.)

MECHANICAL PARTS (Cont.)

CONDENSATE PAN

The condensate pan (located in the compressor compartment) collects the water which runs from the vender during the defrost cycle. The water is evaporated into the surrounding air by means of soakers, and the air movement resulting from the condenser fan blade rotation. The soakers extend down into the pan to absorb the water. Exposure to the surrounding air vaporizes the water, in the soakers, and the water vapor is carried into the air by the action of the condenser fan blade.

ELECTRICAL PARTS

TEMPERATURE CONTROL

The temperature control is the name of a part that is made up of a control bulb connected by a small metal tube to a bellows. The control bulb is in a tube back of the evaporator. The bellows and a switch known as the temperature control switch are in the temperature control box which is fastened to the right side inside the vender.

The control bulb and the bellows have a vapor in them. When the temperature of the vapor in the bulb rises, it builds up pressure in the bellows tube. This pushes the bellows out, making it longer. When the control bulb is cool the vapor shrinks back, and the bellows pull in and get shorter. These movements of the bellows work the switch - called the temperature control switch - closing it when the bulb is heated and opening it when the bulb is cooled.

The contacts of the temperature control switch are in the compressor motor's running and starting circuits. They are also in the condenser fan motor circuit.

When the cabinet temperature gets up to the cut-on setting, the temperature control switch closes in the compressor motor's starting and running circuits and in the condenser fan circuit. When the cabinet temperature gets down to the cut-off setting, the temperature control switch opens in these circuits.

CAUTION: To adjust temperature control see pages 18 and 19 "Things To Adjust".

STARTING RELAY

The starting relay (in the terminal box on the side of the compressor shell) is an electromagnetic relay whose contacts are closed by the magnetic field of the relay coil, and are opened by gravity. It is made up of a relay coil and one set of contacts. The relay coil is in the running circuit of the compressor motor. The relay contacts are in the compressor motor's starting circuit and can complete or break only that circuit.

When the compressor motor and the condenser fan motor first start, the starting relay closes and completes the compressor motor starting, winding circuit. After the compressor motor gets up speed, the starting relay is opened by the force of gravity and the starting winding circuit is broken.

HOW THE REFRIGERATION SYSTEM WORKS (Cont.)

ELECTRICAL PARTS (Cont.)

COMPRESSOR MOTOR

The compressor motor (sealed in the compressor housing) runs the compressor. It is started by the temperature control switch, the starting relay and the thermal overload switch. It is stopped by the temperature control switch; and, if it gets overloaded, by the thermal overload switch.

THERMAL OVERLOAD ASSEMBLY

The thermal overload assembly (in the terminal box on the side of the compressor shell) is the name of a part that is made up of a switch (the thermal overload switch) and a heating wire. The heating wire is in the compressor motor's running and starting circuits. The thermal overload switch can complete or break the compressor motor's starting circuit and running circuit. If the compressor motor gets too warm, or draws too much current (which will make the heating wire get hot) the heat makes the thermal overload switch open in the running and starting circuit of the compressor and break those circuits. When the thermal overload assembly, the motor, and the compressor shell have all cooled enough to run safely, the thermal overload switch closes in these circuits and completes them.

CONDENSER FAN MOTOR

The condenser fan motor (between the condenser and the motor compressor) runs a fan that sucks air through the condenser coils. It starts when the temperature control switch is closed and it stops when the temperature control switch is open.

HOW THE REFRIGERATION SYSTEM WORKS (Cont.)

ELECTRICAL OPERATION

What Does It	What Happens
WHEN THE VENDER TEMPERATURE GETS UP TO THE CUT-ON SETTING	
The temperature control switch	<p>Closes in the running winding circuit of the compressor motor and completes that circuit.</p> <p>Closes in the starting relay coil circuit, and completes that circuit.</p> <p>Closes in the starting winding circuit of the compressor motor.</p> <p>Closes in the condenser fan motor circuit, completing that circuit.</p>
THE HEAVY CURRENT, DRAWN BY THE RUNNING WINDING, ALSO FLOWS IN THE STARTING RELAY COIL, AND:	
The starting relay coil	Closes the starting relay contacts in the starting winding circuit of the compressor motor, completing that circuit.
WHEN THE COMPRESSOR MOTOR GETS UP TO SPEED	
The force of gravity	Pulls the starting relay contacts apart because,
The starting relay coil	No longer gets enough current to hold the contacts closed, and
The starting relay contacts	Open in the starting winding circuit of the compressor motor, and break that circuit.
IF EITHER THE COMPRESSOR MOTOR OR THE CONDENSER FAN DRAWS TOO MUCH CURRENT AND CAUSES THE THERMAL OVERLOAD ASSEMBLY TO GET TOO WARM	
The thermal overload switch	<p>Opens in the running winding circuit and the starting winding circuit of the compressor motor, and breaks both those circuits.</p> <p>Opens in the condenser fan motor circuit, and breaks that circuit.</p>

HOW THE REFRIGERATION SYSTEM WORKS (Cont.)

ELECTRICAL OPERATION (Cont.)

What Does It	What Happens
WHEN THE THERMAL OVERLOAD ASSEMBLY COOLS DOWN AGAIN	
The thermal overload switch	<p>Closes in both the running winding circuit and the starting winding circuit of the compressor motor.</p> <p>Closes in the condenser fan motor circuit, and completes that circuit.</p>
WHEN THE VENDER TEMPERATURE GETS DOWN TO THE CUT-OFF SETTING	
The temperature control switch	<p>Opens in the running winding circuit of the compressor motor, and breaks that circuit.</p> <p>Opens in the starting relay coil circuit, and breaks that circuit.</p> <p>Opens in the starting winding circuit of the compressor motor.</p>

HOW THE REFRIGERATION SYSTEM WORKS (Cont.)

ELECTRIC CIRCUITS AND CIRCUIT DIAGRAMSCONDENSER FAN CIRCUIT

Switches In The Wiring	What The Switches Do	What Makes The Switches Work
Temperature control switch	Turns the condenser fan motor on and off.	The temperature in the vender has come up to the cut-on point (or gotten down to the cut-off point) set on the temperature control.

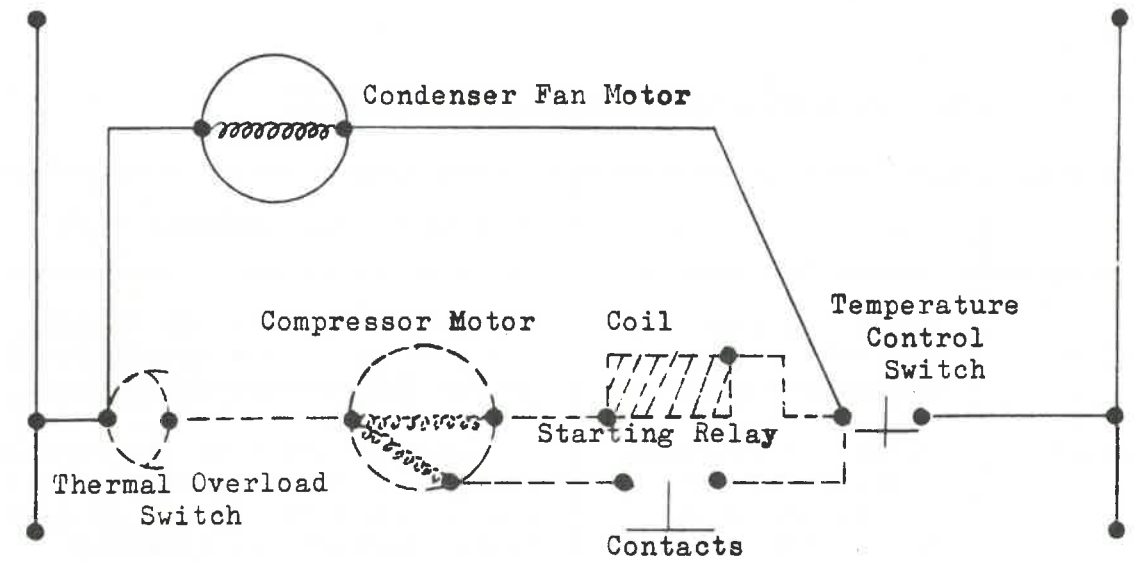
COMPRESSOR MOTOR RUNNING WINDING CIRCUIT

Switches In The Wiring	What The Switches Do	What Makes The Switches Work
Thermal over- load switch	Turns the running windings of the compressor motor on.	Current drawn by the motor or heat from the compressor can raise the temperature of the thermal overload assembly and make the thermal overload switch cut off.

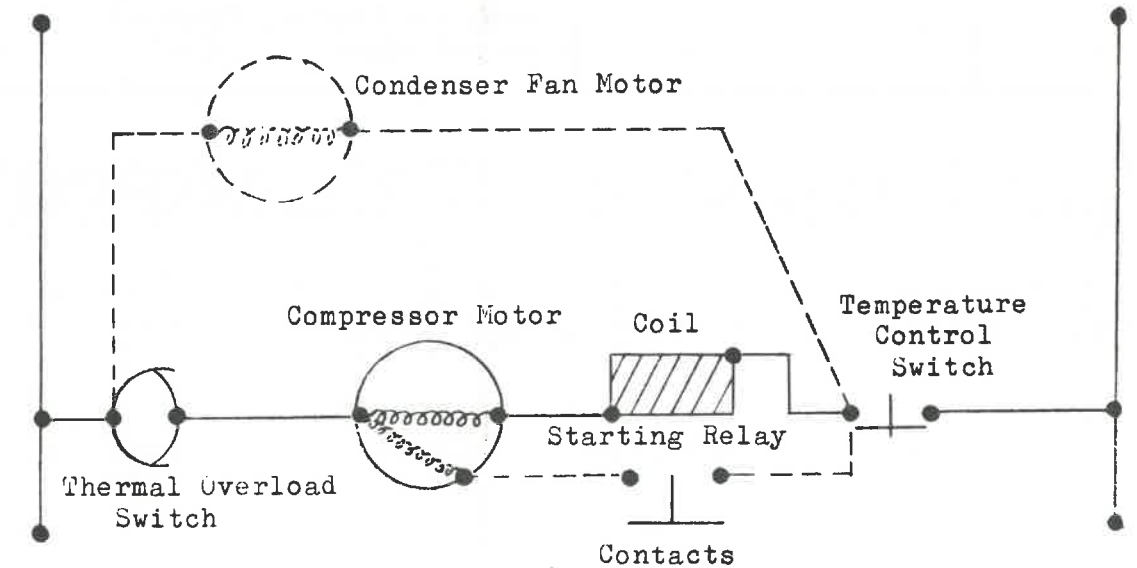
HOW THE REFRIGERATION SYSTEM WORKS (Cont.)

ELECTRIC CIRCUITS AND CIRCUIT DIAGRAMS (Cont.)

CONDENSER FAN CIRCUIT DIAGRAM



COMPRESSOR MOTOR RUNNING WINDING CIRCUIT DIAGRAM



HOW THE REFRIGERATION SYSTEM WORKS (Cont.)

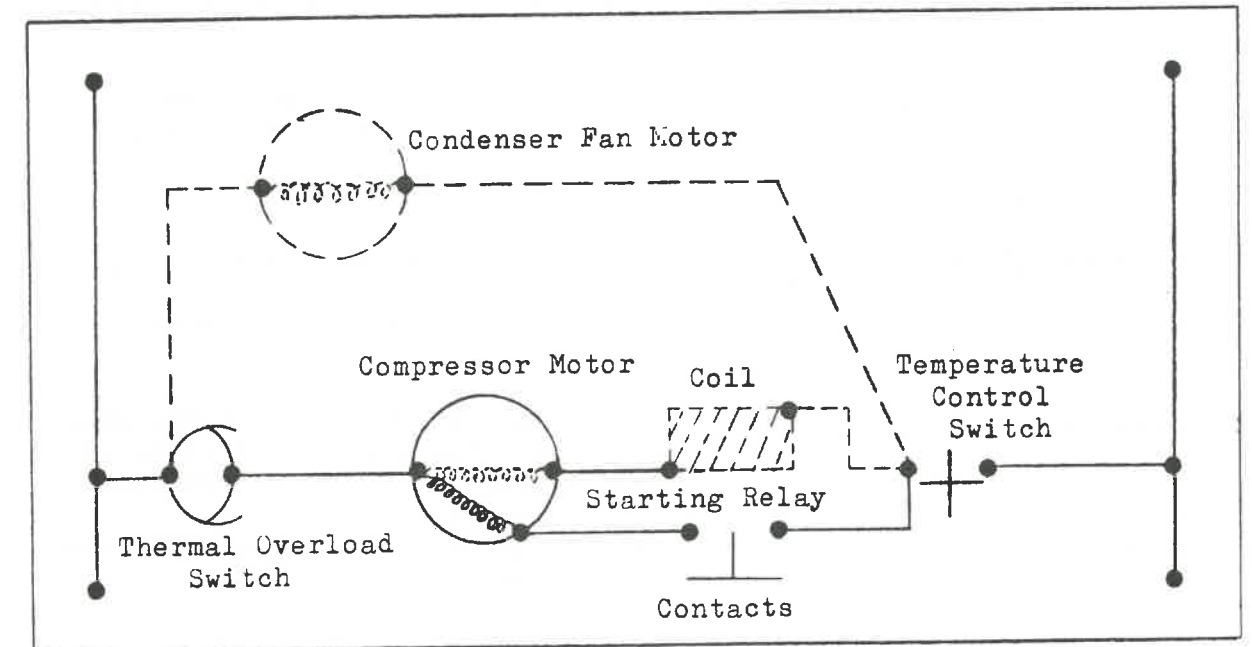
ELECTRIC CIRCUITS AND CIRCUIT DIAGRAMS (Cont.)COMPRESSOR MOTOR STARTING WINDING CIRCUIT

Switches In The Wiring	What The Switches Do	What Makes The Switches Work
Temperature control switch	Turns the starting windings of the compressor motor on.	The temperature in the vender has come up to the cut-on point set on the temperature control.
Starting relay contacts	Turns the starting windings of the compressor motor on and off.	The current drawn by the running winding of the compressor motor when it is first turned on also closes through the starting coil. This heavy current gives the relay coil enough power to close the contacts.
Thermal over- load switch	Turns the starting windings of the compressor motor on and off.	Current drawn by the motor or heat from the compressor can raise the temperature of the thermal overload assembly and make the thermal overload switch open.

HOW THE REFRIGERATION SYSTEM WORKS (Cont.)

ELECTRIC CIRCUITS AND CIRCUIT DIAGRAMS (Cont.)

COMPRESSOR MOTOR STARTING WINDING CIRCUIT DIAGRAM



HOW THE REFRIGERATION SYSTEM WORKS (Cont.)

REFRIGERATION CYCLE

<u>What Does It</u>	<u>What Happens</u>
The rising temperature in the vender	Warms the temperature control bulb and the liquid in it.
The liquid in the control bulb	Expands and pushes through the control tube and stretches the temperature control bellows.
The bellows	Moves, and closes the temperature control switch.
The temperature control switch	Turns the compressor motor on. Turns the condenser fan motor on.
The compressor motor	Drives the compressor.
The condenser fan motor	Drives the condenser fan.
The condenser fan motor	Sucks air through the condenser, cooling it.
The compressor	Sucks low pressure refrigerant gas from the evaporator, compresses the gas, and pumps it to the condenser.
The cooled condenser	Takes heat out of the high pressure refrigerant gas.
The cooled gas	Turns into liquid refrigerant.
More hot gas coming from the compressor	Pushes the liquid refrigerant into the capillary tube.
The capillary tube	Lets only a certain amount of liquid refrigerant run into the evaporator.
The evaporator	(Where the pressure is kept low by the suction of the compressor) heats the liquid refrigerant.
The liquid refrigerant	Changes into gas at low pressure and is sucked back into the compressor.
The falling temperature in the vender	Cools the temperature control bulb and the liquid in it.

HOW THE REFRIGERATION SYSTEM WORKS (Cont.)

REFRIGERATION CYCLE (Cont.)

<u>What Does It</u>	<u>What Happens</u>
The liquid in the control bulb	Shrinks, and lets the temperature control bellows pull back.
The bellows	Move, and open the temperature control switch.
The temperature control switch	Turns the compressor motor off. Turns the condenser fan motor off.
The compressor	Stops
The condenser fan motor	Stops

(With the Vender "plugged in" the evaporator fan motor runs constantly).

H O W T O T A K E C A R E O F
T H E R E F R I G E R A T I O N S Y S T E M

WHAT TO CLEAN

Clean dirt and lint from the condenser with a brush, vacuum cleaner or compressed air.

WHEN AND WHAT TO LUBRICATE

The refrigeration system is sealed up and does not have to be oiled or greased. Enough oil is put into the condenser and evaporator fan motors when they are manufactured to last as long as they will run.

CORRECTING TROUBLES

When the refrigeration system is not working right, go to the table called "Correcting Common Refrigeration Troubles" on the next pages. Find your trouble, see what the possible causes are, and try the tests (in the center column); they will let you know when you have the true cause of the trouble. When you have found the cause of the trouble, either make the adjustment, repair the part or put a new part in, whatever the table says to do. This table does not list all of the possible causes of any of the troubles - - - but it does have all of the common causes. If your vender has a trouble that is not shown on the chart, or the trouble is not the result of one of the causes shown on the chart, study the section on "How The Refrigeration Mechanism Works" and you will be able to find out what is wrong and fix it.

HOW TO TAKE CARE OF THE
REFRIGERATION SYSTEM (Cont.)

TROUBLE

- The Compressor Will Not Run At All
- The Compressor Starts But Will Not Keep Running
- The Compressor Runs But The Cans Aren't Cold Enough
- The Refrigeration Unit Is Noisy
- The Compressor Motor Never Stops Running

**HOW TO CORRECT
COMMON REFRIGERATION TROUBLES**
THE COMPRESSOR WILL NOT RUN AT ALL

A Possible Cause Is	To Make Sure	This Is What To Do
1. The vender is not plugged in	Look; and if it isn't,	Plug the vender in.
2. The power is off	Plug a 110V lamp into the outlet, if it doesn't light,	Have someone who knows how, get power to the outlet.
3. The refrigeration unit is not made for the voltage it is getting.	Look at the nameplate on the vender to find out what voltage and cycle it is made for. Ask the local power company if they supply this kind of current. If they don't,	Put a vender in that is made for the kind of current you are getting.
4. A wire in the supply cord or control cable is broken.	Put the prods of 110V test lamp on terminal L of the starting relay and on terminal 3 of thermal overload switch (make sure the temperature control switch is closed.) If it doesn't light,	Put a new supply harness on.
5. The thermal overload switch is stuck open.	Unplug the vender for at least 15 minutes. Then plug the vender in and put the prods of a 110V test lamp on terminal L of the starting relay and on the common terminal of the compressor motor. If the lamp doesn't light,	Put a new thermal overload assembly in.
6. The temperature control bulb is either touching the evaporator or it is covered with ice and frost.	Look at it. If it is touching the evaporator or is covered with ice or frost,	Defrost the evaporator and be sure the bulb is mounted right.

**HOW TO CORRECT
COMMON REFRIGERATION TROUBLES (Cont.)**

THE COMPRESSOR WILL NOT RUN AT ALL (Cont.)

A Possible Cause Is	To Make Sure	This Is What To Do
7. The temperature control bellows do not work	Warm the temperature control bulb with your hand for about one minute. If the temperature control switch doesn't close,	Put a new temperature control in.
8. The temperature control switch contacts need cleaning.	Clean them and see if this helps,	Clean the faces of the contacts with "Cobehn".
9. The starting relay contacts aren't closing.	Warm the temperature control bulb to close the temperature control switch. If the starting relay contacts don't close at the same time,	Check the relay out as explained in the next two steps. If they do close, skip the next two steps and go on to step twelve of this section.
10.	Put the prods of a 110V test lamp across M of the relay and 3 of the overload protector. If the lamp does not light,	Put in a new relay.
11. The starting relay contacts are stuck open.	Warm the temperature control bulb to close the temperature control switch. If the starting relay contacts don't close when the temperature control switch does,	Put a new starting relay in.
12. The compressor motor's starting or running winding is burned out.	Unplug the vender. Take all wires off the compressor terminals. Connect a 110V line to compressor motor terminals (C) and (R). At once, with an insulated wire, connect (for 2 seconds) compressor terminals (R) and (S). If the compressor does not start,	Put a new motor compressor in.

**HOW TO CORRECT
COMMON REFRIGERATION TROUBLES (Cont.)**

THE COMPRESSOR STARTS, BUT WILL NOT KEEP RUNNING

A Possible Cause Is	To Make Sure	This Is What To Do
<p>1. The thermal overload switch opens every time, or almost every time, the compressor motor starts.</p>	<p>Wait until the compressor motor stops, then unplug the vender and open the temperature control. See if switch is closed. If it is,</p>	<p>Check the "Possible Causes" in the next 6 steps. If it is not, skip the next 6 steps and go to step 8 of this section.</p>
<p>2. The tube from the compressor to the condenser is kinked or bent sharply.</p>	<p>Look; if it is,</p>	<p>Try to get the kink out.</p>
<p>3. The capillary tube is kinked or bent sharply.</p>	<p>Look; if it is,</p>	<p>Try to get the kink out.</p>
	<p>If this does not help and no other cause can be found for the trouble,</p>	<p>Put a new capillary tube on.</p>
<p>4. The starting relay contacts are sticking closed.</p>	<p>Plug the vender back in. Then while the compressor is running see if the starting relay contacts stay closed. If they do. If the starting relay contacts stick closed again after cleaning,</p>	<p>Clean the relay contacts with "Cobehn". Put a new starting relay in.</p>
<p>5. The voltage at the vender is either too high or too low.</p>	<p>1. When an extension cord is not used on the supply cord; While the compressor is running put one prod of a volt meter on terminal (L) of the starting relay and the other prod on terminal (M) of the starting relay. If the voltage is not between 105V and 126V,</p>	<p>Have the person in charge of the vender tell the power company so they can take care of it.</p>

**HOW TO CORRECT
COMMON REFRIGERATION TROUBLES (Cont.)**

THE COMPRESSOR STARTS, BUT WILL NOT KEEP RUNNING (Cont.)

A Possible Cause Is	To Make Sure	This Is What To Do
	2. When an extension is used on the supply cord: Put a double socket on the plug end of the extension and plug it into the outlet. While the compressor is running, put the prods of a volt meter into one of the other sides of the double socket. If the voltage is not between 105V and 126V,	Have the person in charge of the vender tell the power company so they can take care of it.
6. The cut-on temperature is set too close to the cut-off temperature.	Put a thermometer on the control bulb. Read the temperature when the refrigeration unit cuts on. Read the temperature again when it cuts off. If the two temperatures are less than 16° apart,	Turn the outside range screw clockwise.
7. The thermal overload switch opens after the compressor has been running a short time, but before the temperature control switch cuts off.	Wait until the compressor stops, then unplug the vender and open the temperature control box to see if the temperature control switch is closed. If it is,	Check the "Possible Causes" in the next 3 steps.
8. Not enough air is getting to the condenser.	See if there is anything around the outside of the vender. If there is	Take it away.
9. The condenser is dirty.	Look. Also feel the tube from the compressor to the condenser. If the tube is very hot, or if you see dirt on the condenser,	Clean the condenser with either a vacuum cleaner, a brush or compressed air.
10. The condenser fan motor is burned out.	With the condenser fan motor leads correctly connected to the compressor motor terminals (see wiring diagram) see if the condenser fan runs when the compressor does. If it doesn't,	Put a new condenser fan motor in.

**HOW TO CORRECT
COMMON REFRIGERATION TROUBLES (Cont.)**

THE COMPRESSOR RUNS BUT THE CANS AREN'T COLD ENOUGH

A Possible Cause Is	To Make Sure	This Is What To Do
1. The evaporator fan is not working.	Look. If it is not working,	Check the "Possible Causes" in the next step. If it is working, skip the next step and go to to step 3 of this section
2. The evaporator fan motor is burned out.	Remove black rubber junction block located on the fan motor bracket. Connect a 110V line to the evaporator fan motor leads. If the evaporator fan motor doesn't start,	Put a new evaporator fan motor in.
3. The temperature control cam is set too warm (high).	Turn the outside range screw of the temperature control clockwise to a colder setting and let the vender run overnight. If the cans get cold enough, If the cans did not get colder,	Leave the temperature control at that setting. Put a new temperature control in.
4. The evaporator is covered with frost and ice.	Look at it.	Defrost the evaporator then check the "Possible Causes" in the next two steps. If it isn't, skip the next two steps and to to step 8 of this section.
5. The temperature control cam is set too cold and the evaporator is not defrosting.	Look at the evaporator for frost. If there is frost, If the evaporator coil does not defrost on each cycle, If, after the second setting, the coil still does not defrost,	Turn the inside range screw. Turn the inside range screw. Put a new temperature control in.

**HOW TO CORRECT
COMMON REFRIGERATION TROUBLES (Cont.)**

THE COMPRESSOR RUNS BUT THE CANS AREN'T COLD ENOUGH (Cont.)

A Possible Cause Is	To Make Sure	This Is What To Do
6. The temperature control switch contacts stick closed.	If the unit runs all the time, and the evaporator builds up frost,	Put a new temperature control in.
7. The temperature control bulb sleeve is touching the evaporator.	Look at it. If it is touching the evaporator tube,	Bend the bracket so that there will be space between the bulb sleeve and the evaporator tube.
8. The control bulb is not in the sleeve (holder).	Look. If it is not.	Put the bulb in the sleeve (holder).
9. The temperature control bellows is not working.	Warm the temperature control bulb with your hand for about one minute. If the temperature control switch doesn't close,	Put a new temperature control in.
10. The refrigerant tubing is kinked or bent sharply.	Look. If it is,	Try to get the kink out.
	If this does not help and no other cause can be found for the trouble	Put some new refrigerant tubing in.
11. There isn't enough refrigerant in the refrigeration system or the capillary tube is partly plugged.	Let the vender run at least 15 minutes and then see if the evaporator is frosted all over. If it isn't,	Try to blow the plug out of the capillary tube, evacuate the system and then put a new charge of gas in the refrigeration unit.
12. The condenser isn't getting enough air.	See if there is anything around the outside of the vender to keep the air out. If there is,	Take it away.
13. The condenser is dirty.	Look. Also feel the tube from the compressor to the condenser. If the tube is very hot, or if you see dirt,	Clean the condenser with either a vacuum cleaner, a brush or compressed air.

**HOW TO CORRECT
COMMON REFRIGERATION TROUBLES (Cont.)**

THE COMPRESSOR RUNS BUT THE CANS AREN'T COLD ENOUGH (Cont.)

A Possible Cause Is	To Make Sure	This Is What To Do
14. The condenser fan motor is burned out.	With the condenser fan motor leads correctly connected to the compressor terminal, see if the condenser fan runs when the compressor does. If it doesn't,	Put a new condenser fan motor in.
15. The thermal overload switch is starting and stopping the compressor	Unplug the vender for at least 15 minutes, then plug it in again. Be sure the temperature control switch is closed. (Warm the temperature control bulb with your hand to close it). If the compressor motor cuts off then on, then off while the temperature control switch stays closed,	Check the "Possible Causes" in steps 16 and 17.
16. The voltage at the vender is either too high or too low.	<p>1. When an extension is not used on the supply cord: While the compressor is running put one prod of a volt meter on terminal (S) of starting relay and the other prod on terminal (L) of the starting relay. If the voltage is not between 105V and 126V,</p> <p>2. When an extension is used on the supply cord: Put a double socket on the plug end of the extension and plut it into the outlet. While the compressor is running, put the prods of a volt meter on terminal (S) of the starting relay and the other prod on terminal (L) of the starting relay. If the voltage is not between 105V and 126V,</p>	<p>Have the person in charge of the vender tell the power company so they can take care of it.</p> <p>Have the person in charge of the vender tell the power company so they can take care of it.</p>

**HOW TO CORRECT
COMMON REFRIGERATION TROUBLES (Cont.)**

THE COMPRESSOR RUNS BUT THE CANS AREN'T COLD ENOUGH (Cont.)

A Possible Cause Is	To Make Sure	This Is What To Do
17. The starting re- lay contacts are sticking closed.	Look and see. If they are, THE CANS ARE TOO COLD	Put a new starting relay in.
1. The temperature con- trol bulb is not in its tube.	Look and see. If it isn't,	Put the bulb in its tube.
2. The temperature control cam is set too cold.	Turn the outside range screw of the temperature control cam counter- clockwise to a warmer setting and let the vender run over night. If the cans get cold enough but not too cold,	Leave the tempera- ture control cam at that setting.
3. The temperature control switch is stuck closed.	Unplug the vender and let the evaporator fan come to a stop. Then block the fan blade so it can't turn. Remove the tempera- ture control bulb from its tube and touch it to the evaporator tube. Plug the vender back in and let the compressor run until it cuts off, but not more than 30 minutes. If the vender has not cut off, THE REFRIGERATION UNIT IS NOISY	Put a new tempera- ture control in.
1. The refrigerant lines rattle.	Hold them between your fingers. If the rattle stops,	Bend them gently away from whatever they are hitting.

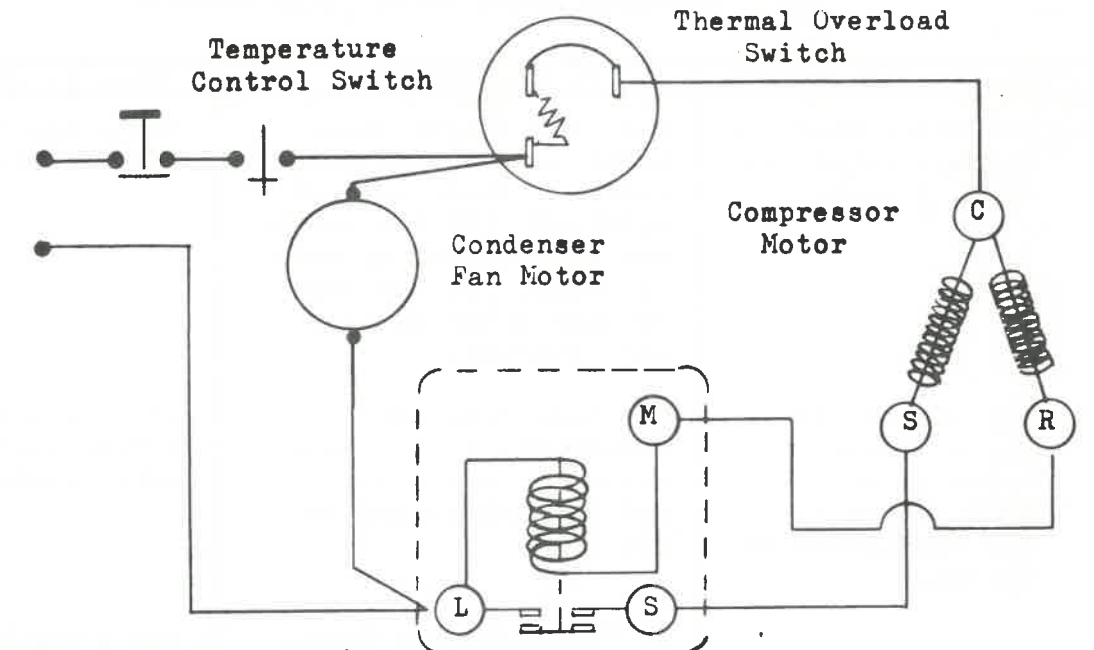
**HOW TO CORRECT
COMMON REFRIGERATION TROUBLES (Cont.)**

THE COMPRESSOR MOTOR NEVER STOPS RUNNING

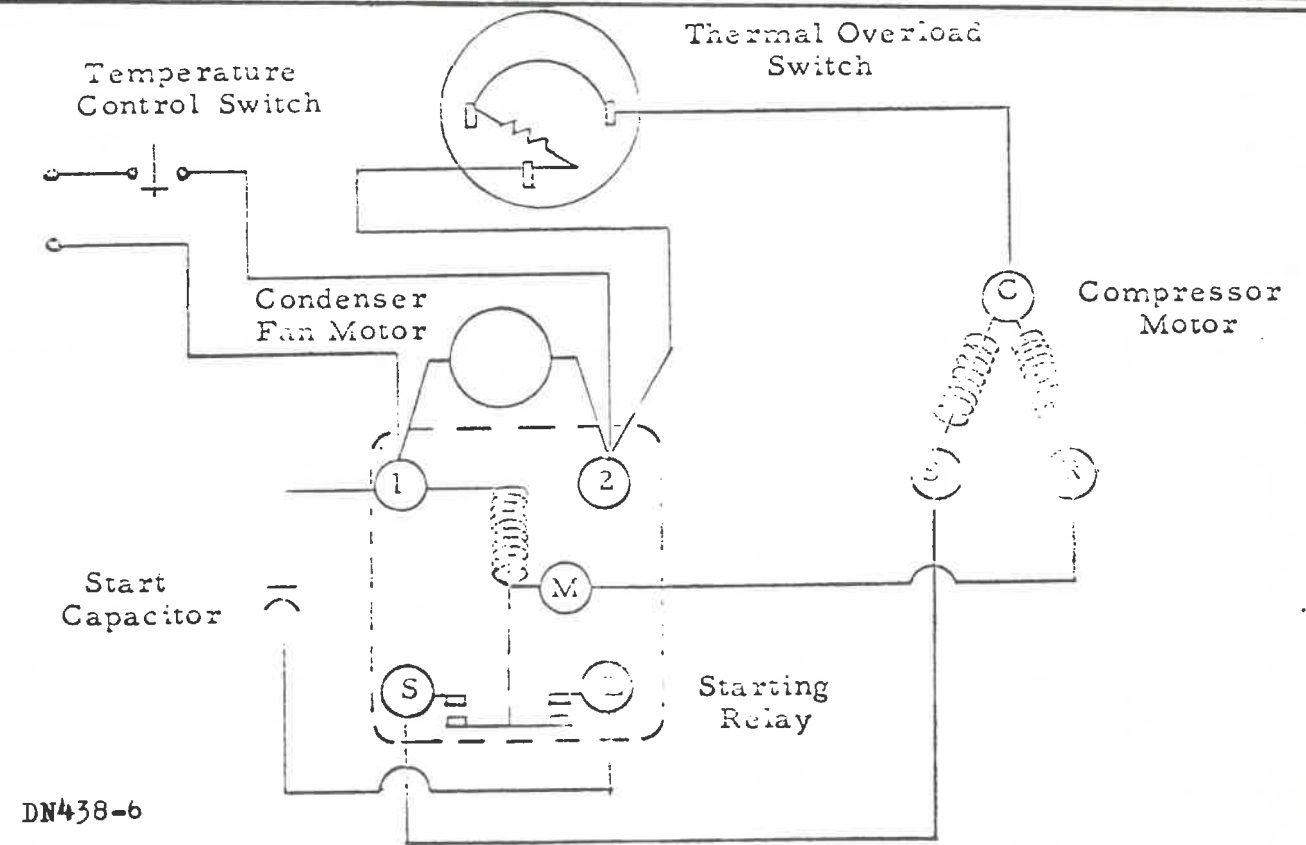
A Possible Cause Is	To Make Sure	This Is What To Do
1. The temperature control switch is stuck closed.	Turn the inside range screw cam and the range screw to their warmest settings. Let the vender run over night, or until it stops. If the compressor motor doesn't stop running,	Put a new temperature control in.
2. The compressor has a broken valve or no refrigerant in the refrigeration system.	The tube from the compressor to the condenser is not warm and the evaporator is not cold, If this does not help,	Put a new charge of refrigerant in the refrigeration unit. Put a new motor compressor in the refrigeration unit.

HOW TO CORRECT
COMMON REFRIGERATION TROUBLES (Cont.)

WIRING DIAGRAM



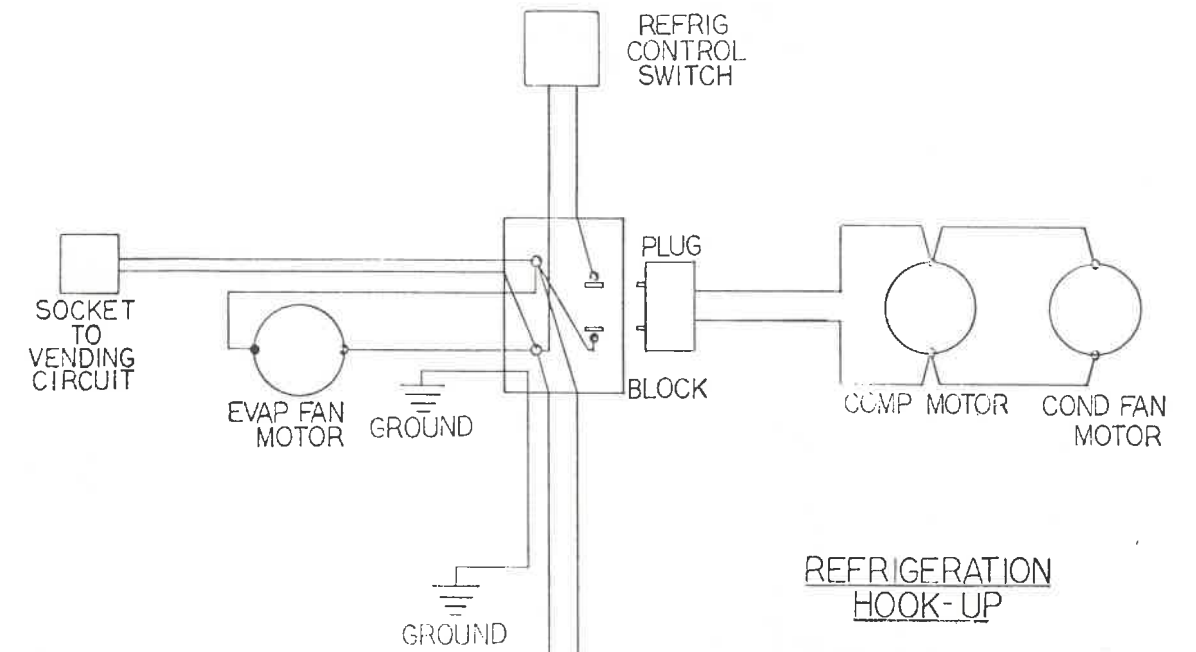
DN170-5, DN215-5, DN275-5, DN365-5
 DN150-5, DN180-5, DN240-5, DN310-5 Starting Relay
 DN372-6 and DN438-6 beginning with S/N 1300263



DN438-6

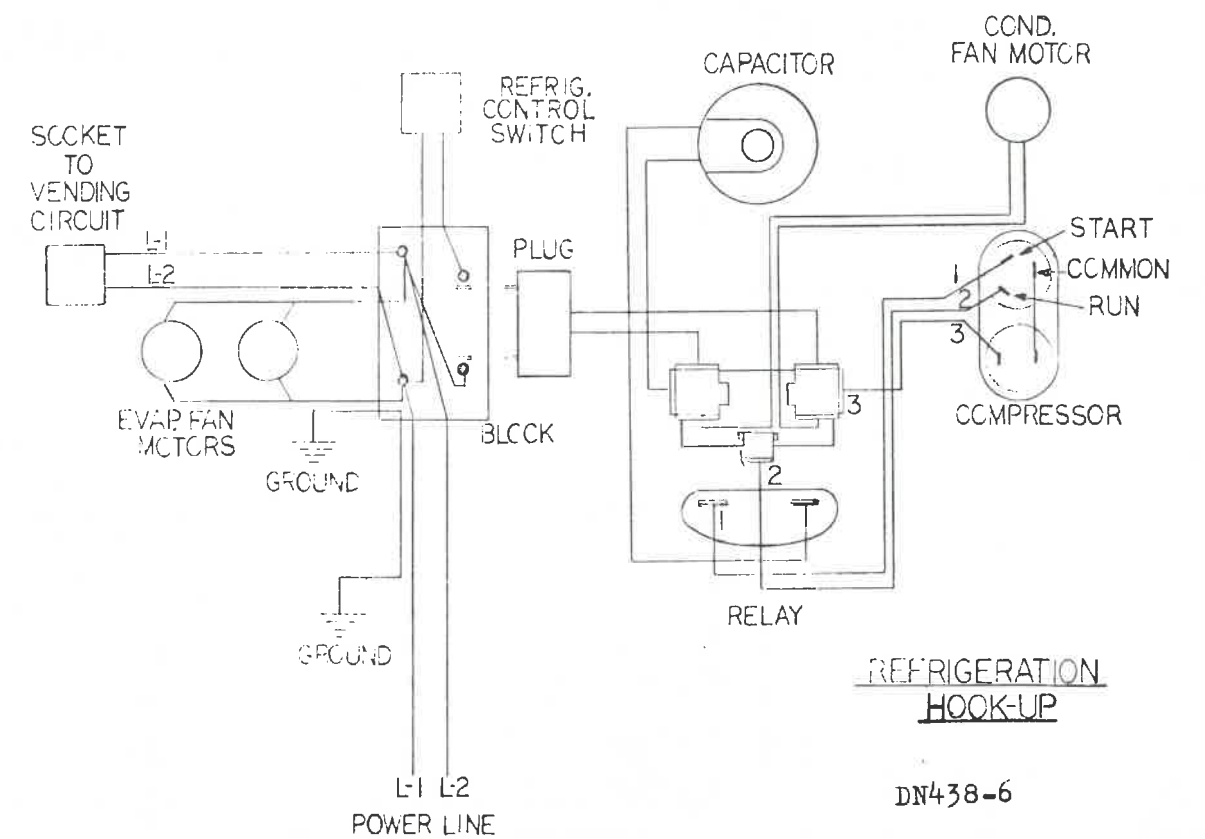
**HOW TO CORRECT
COMMON REFRIGERATION TROUBLES (Cont.)**

WIRING DIAGRAM



REFRIGERATION
HOOK-UP

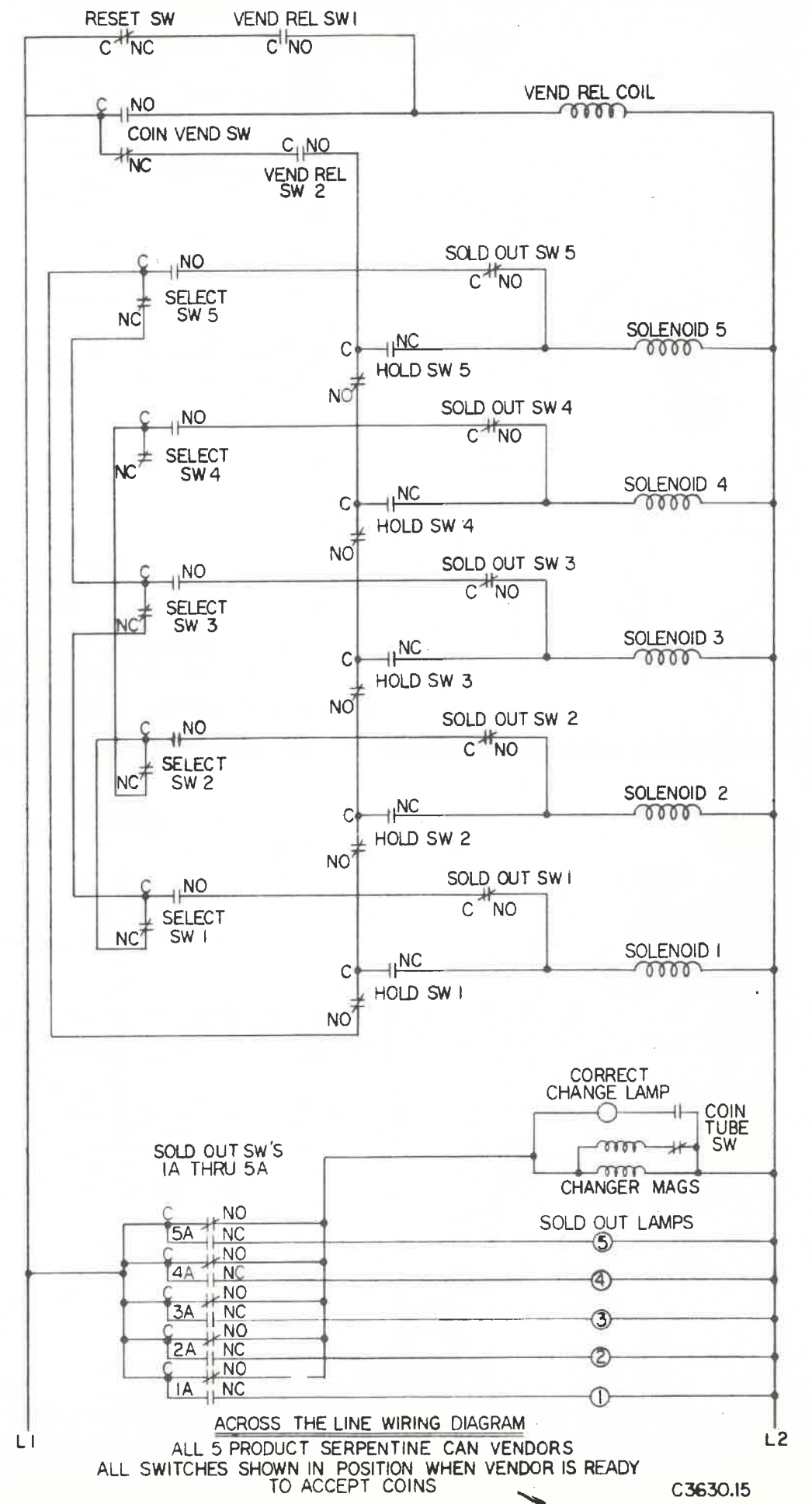
L-1 L-2
POWER LINE
DN170-5, DN215-5, DN275-5, DN365-5
DN150-5, DN180-5, DN240-5, DN310-5
DN372-6 and DN438-6 beginning with S/N 1300263

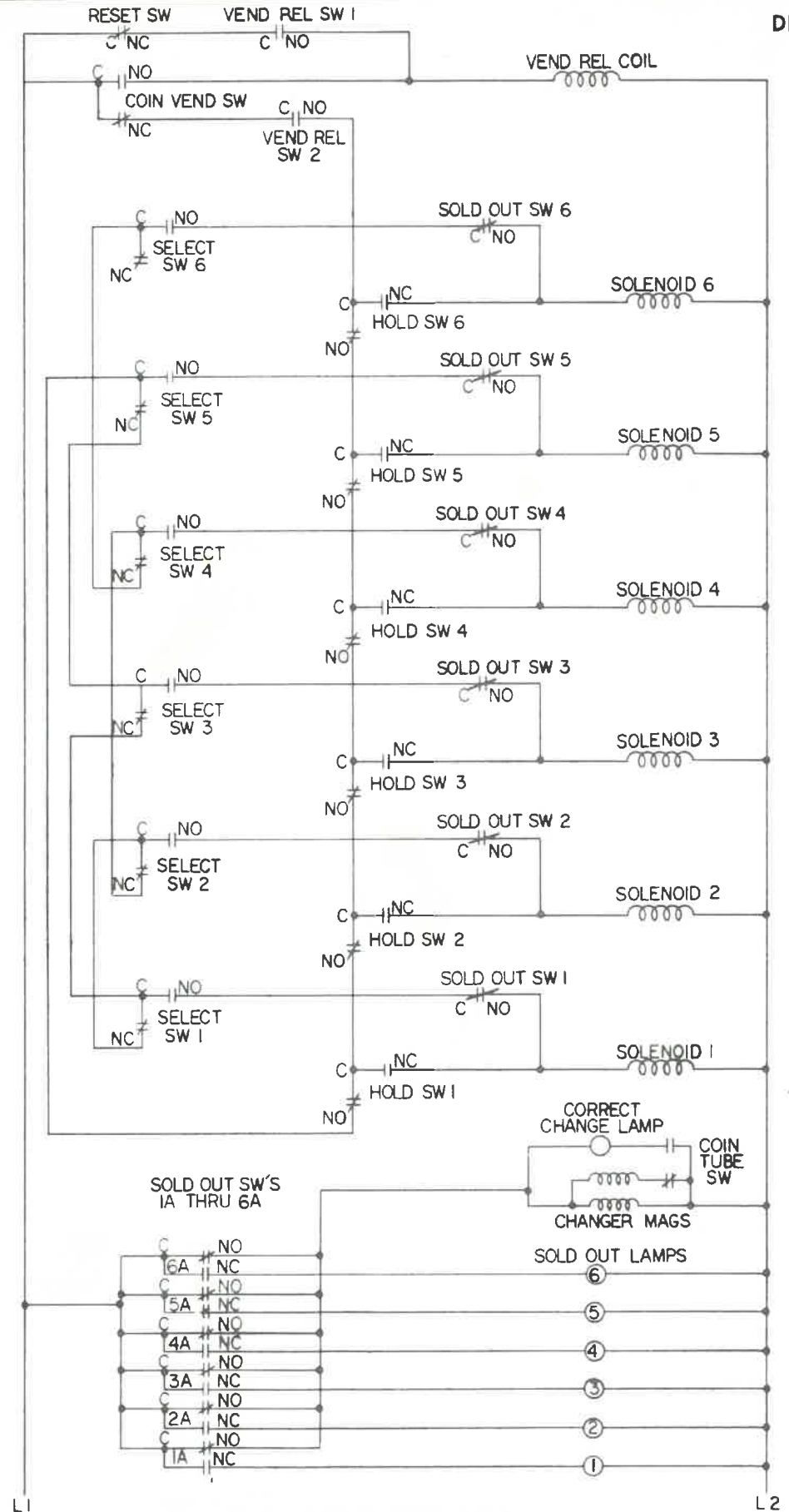


REFRIGERATION
HOOK-UP

DN438-6

1' 2' 4' sol -
CONS





ACROSS THE LINE WIRING DIAGRAM
 ALL 6 PRODUCT SERPENTINE CAN VENDERS
 ALL SWITCHES SHOWN IN POSITION WHEN VENDOR IS READY
 TO ACCEPT COINS

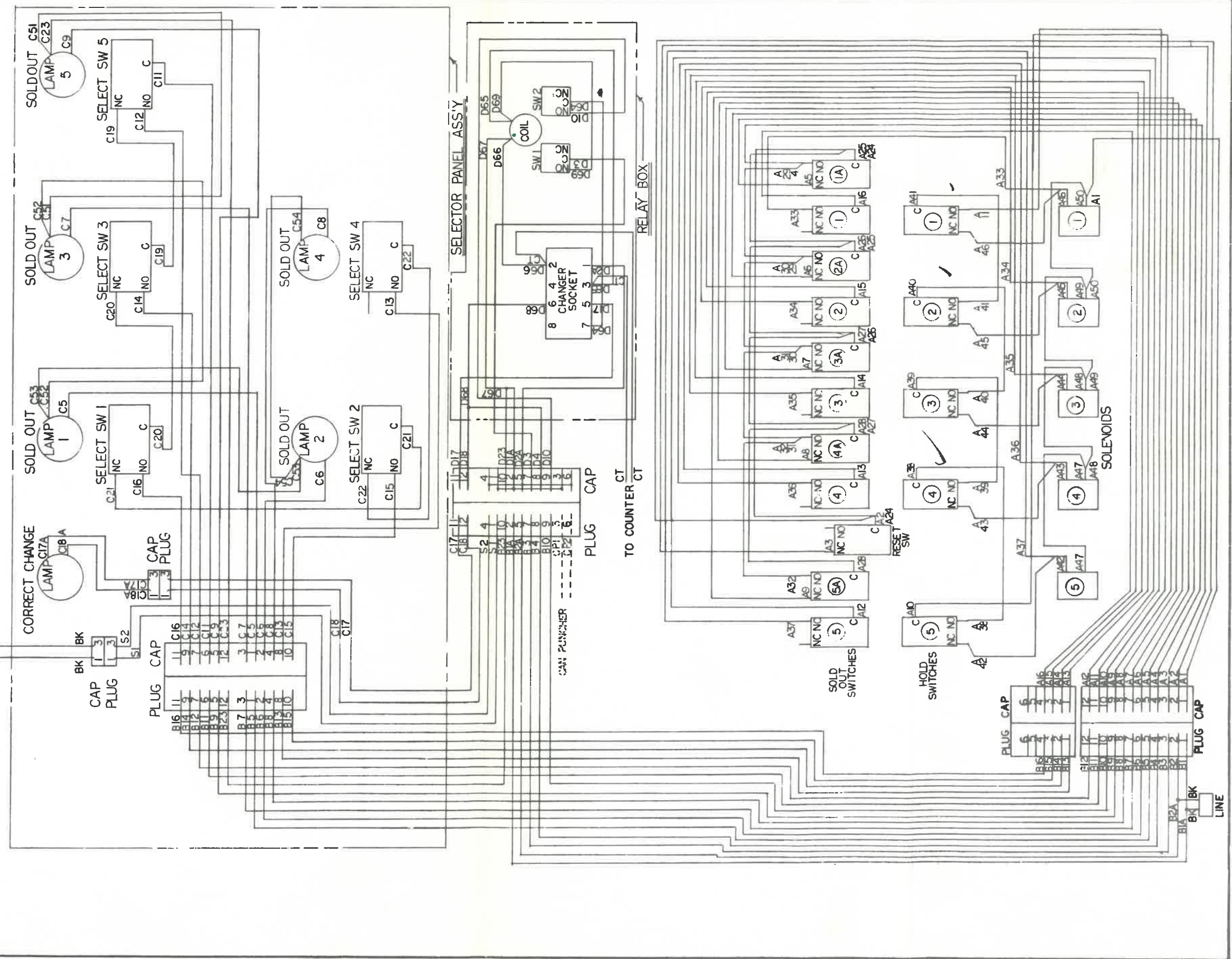
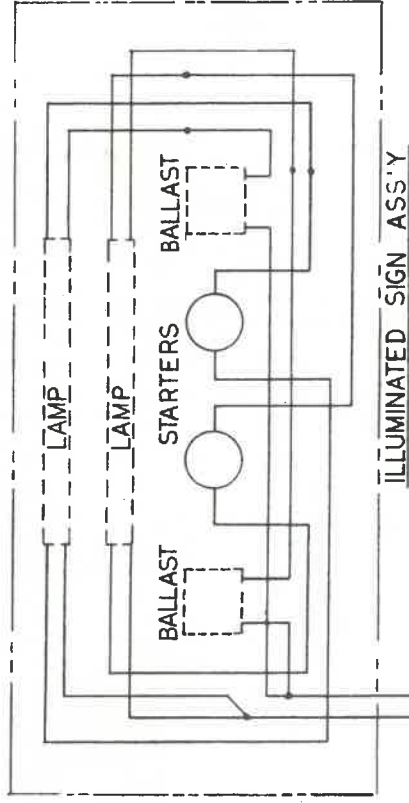
C3770.J5

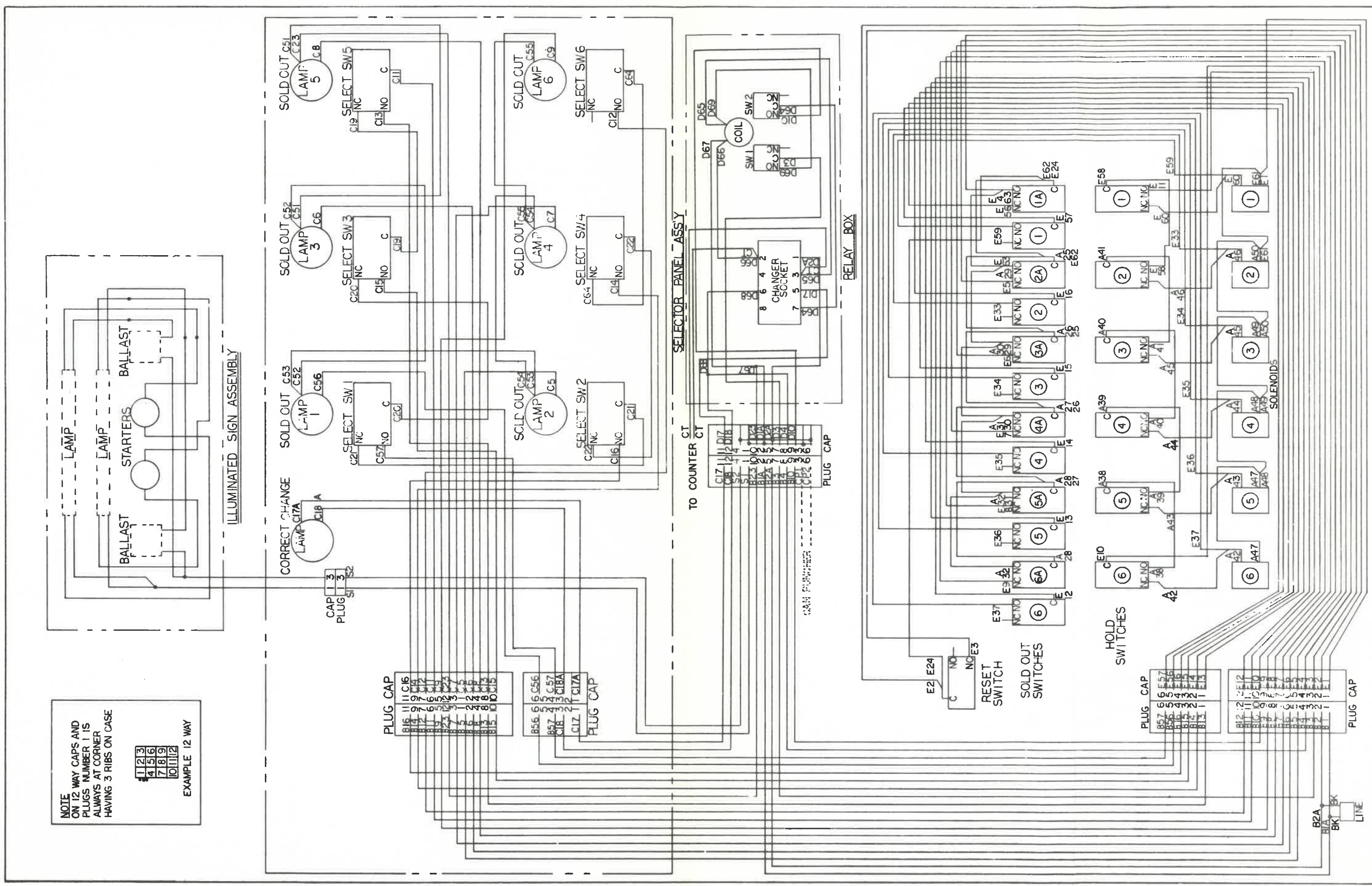
NOTE:
ON 12WAY AND 6 WAY CAPS
AND PLUGS NUMBER 1 IS
ALWAYS AT CORNER HAVING
3 RIBS ON CASE



EXAMPLE 12 WAY

NOTE:
SMALLER SIGNS HAVE ONLY
1 LAMP AND COMPONENTS



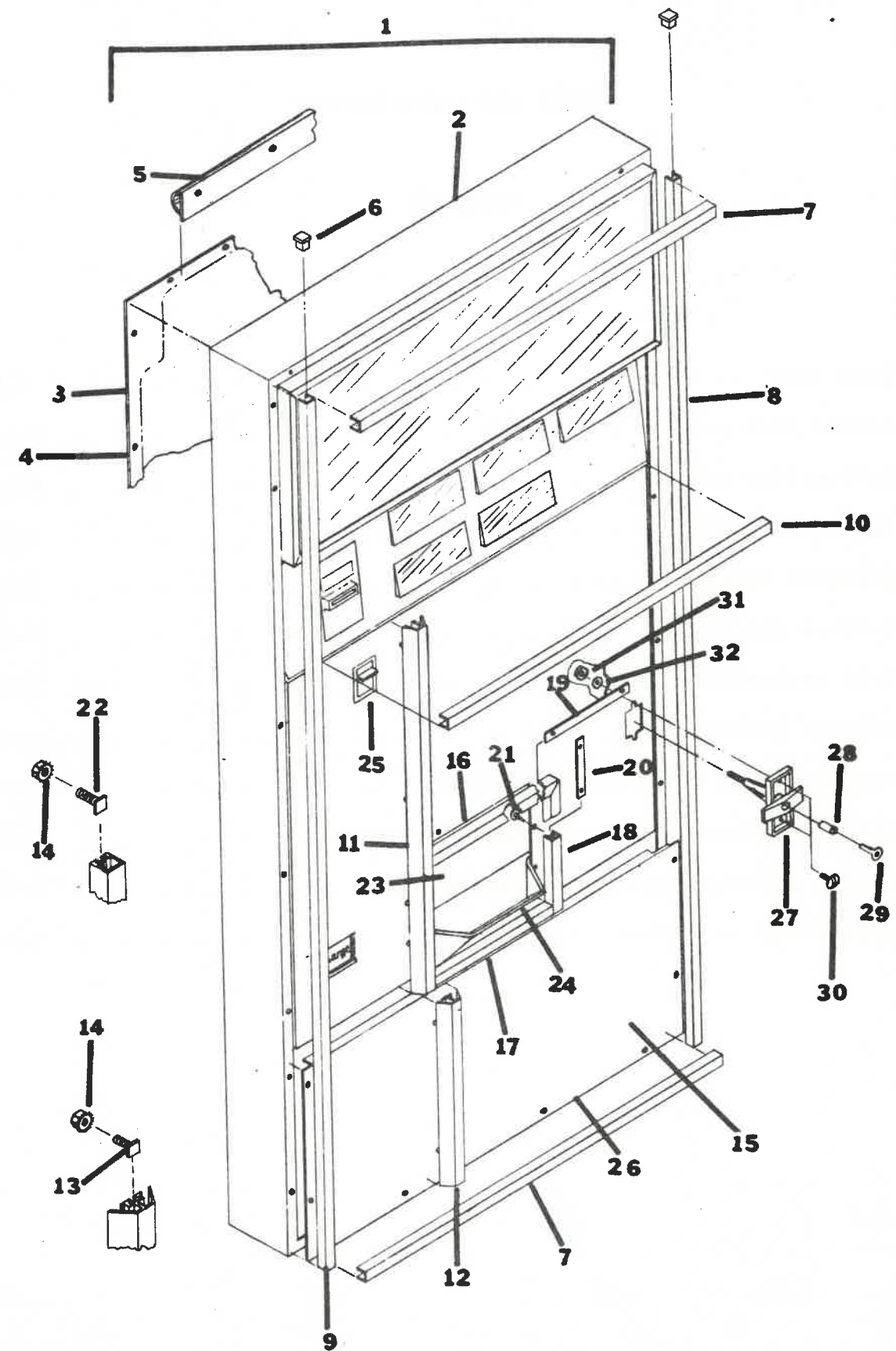


PARTS AND PRICE LIST

CONTENTS

Main Door	P-2
Access Door Area	P-10
Bottom Door and Trim	P-14
Illuminated Sign	P-16
Selector Panel	P-20
Cabinet and Hinges	P-24
Vend Mechanism	P-28
Cabinet Interior	P-32
Complete Vend Stack and Wire Forms	P-36
Wiring Harness - Door and Selector Panel	P-40
Wiring Harness - Cabinet and Relay Box	P-44
Refrigeration System	P-48

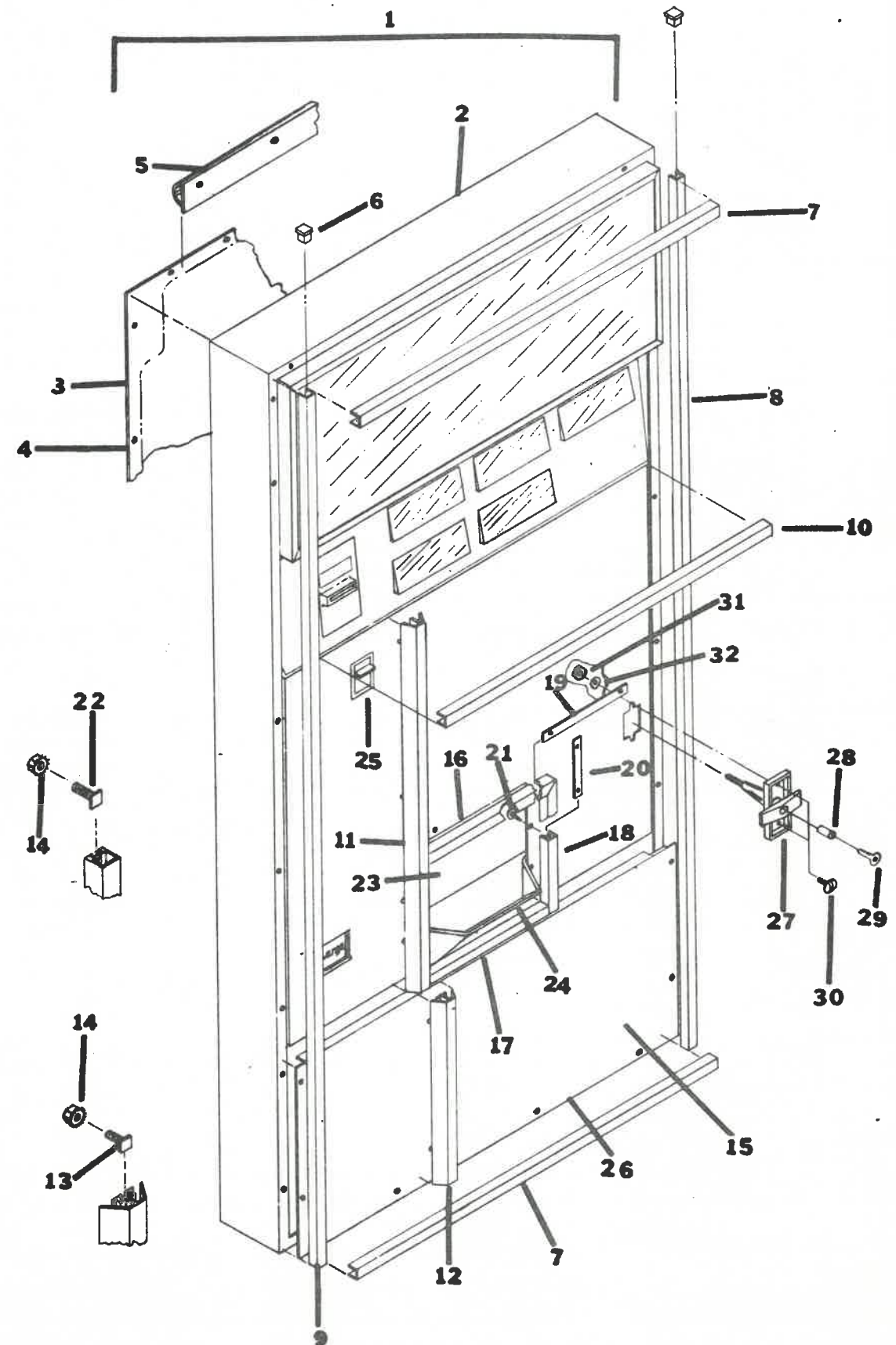
MAIN DOOR



MAIN DOOR

ITEM NO.	DN150-5 DN175-5	PRICE	DN180-5 DN215-5	PRICE	DN225-5 DN240-5 DN275-5	PRICE	PART NAME AND DESCRIPTION
1	F142,160,001,03	\$265.00	F142,160,001,03	\$265.00	F142,160,000,83	\$275.00	Main Door Assembly
2	D142,160,101,33	100.00	D142,160,101,33	100.00	D142,050,102,73	110.00	Main Door, W/A
3	F801,802,880,71	15.30	F801,802,880,71	15.30	D801,802,807,71	18.00	Inner Door Panel
4	NOT NEEDED		NOT NEEDED		NOT NEEDED		
5	D801,802,320,01	\$ 3.75	D801,802,320,01	\$ 3.75	D801,801,910,01	\$ 4.20	Gasket
6	A801,803,220,41	.30	A801,803,220,41	.30	A801,803,220,41	.30	Cap Extrusion
7	A801,602,390,01	1.50	A801,602,390,01	1.50	A801,602,390,01	1.50	Trim HAS TRIM
8	A801,602,400,01	2.70	A801,602,400,01	2.70	A801,602,410,01	3.00	Trim, R.S. WITH BLACK
9	A801,602,400,01	2.70	A801,602,400,01	2.70	A801,602,410,01	3.00	Trim, L.S. FINISH OR,
10	A142,160,520,23	1.50	A142,160,520,23	1.50	A142,160,520,23	1.50	Trim HAS TRIM
11	A142,160,790,23	2.50	A142,160,790,23	2.50	A142,160,060,33	1.50	Trim WITH SIL-
12	A142,160,810,13	1.00	A142,160,810,13	1.00	A142,160,020,23	1.30	Trim VER FINISH
13	202,700,160,02	.05	202,700,160,02	.05	202,700,160,02	.05	Tee Bolt, #8-32 x 1/2
14	900,800,500,01	.05	900,800,500,01	.05	900,800,500,01	.05	Keys Nut
15	801,901,160,01	.75/sq ft.	801,901,160,01	.75/sq ft.	801,901,160,01	.75/sq ft.	Woodgrain (Specify length x width)
16	A142,160,760,43	1.30	A142,160,760,43	1.30	A142,160,020,23	1.30	Trim, Del. port SPECIFY:
17	A142,160,770,43	1.30	A142,160,770,43	1.30	A142,160,030,23	1.30	Trim, Del. port BLACK OR
18	A142,160,780,33	1.30	A142,160,780,33	1.30	A142,160,780,33	1.30	Trim, Del. port SILVER
19	A142,160,860,33	.10	A142,160,860,33	.10			Tap Plate, trim, hor. FINISH
20	A142,160,870,33	.10	A142,160,870,33	.10			Tap Plate, trim, hor. FINISH
21	200,301,440,01	.05	200,301,440,01	.05			Screw, #8 x 3/4 R. side
22	900,400,350,01	.05	900,400,350,01	.05	900,400,350,01	.05	Tee Bolt, #8-32 x 3/4
23	A142,160,820,43	1.00	A142,160,820,43	1.00	A142,160,820,43	1.00	Security Plate
24	M143,012,000,04	5.00	M143,012,000,04	5.00	M143,012,000,04	5.00	Steel Can Stop
25	B901,301,950,11	.60	B901,301,950,11	.60	B901,301,950,11	.60	Frame, Coin Return
26	B142,162,500,33	5.00	B142,162,500,33	5.00			Bottom Door Panel Assy.
27	801,501,460,01	6.00	801,501,460,01	6.00	801,501,460,01	6.00	Handle, pop-out, w/screws
28	801,501,470,01	4.80	801,501,470,01	4.80	801,501,470,01	4.80	Lock Body, w/2 keys
29		.50		.50		.50	Keys - specify number
30	200,201,510,02	.10	200,201,510,02	.10	200,201,510,02	.10	Screw, Machine #10-32
31	200,200,260,02	.05	200,200,260,02	.05	200,200,260,02	.05	Hex Nut - #10-32
32	903,000,170,02	.05	903,000,170,02	.05	903,000,170,02	.05	Lockwasher, #10

MAIN DOOR

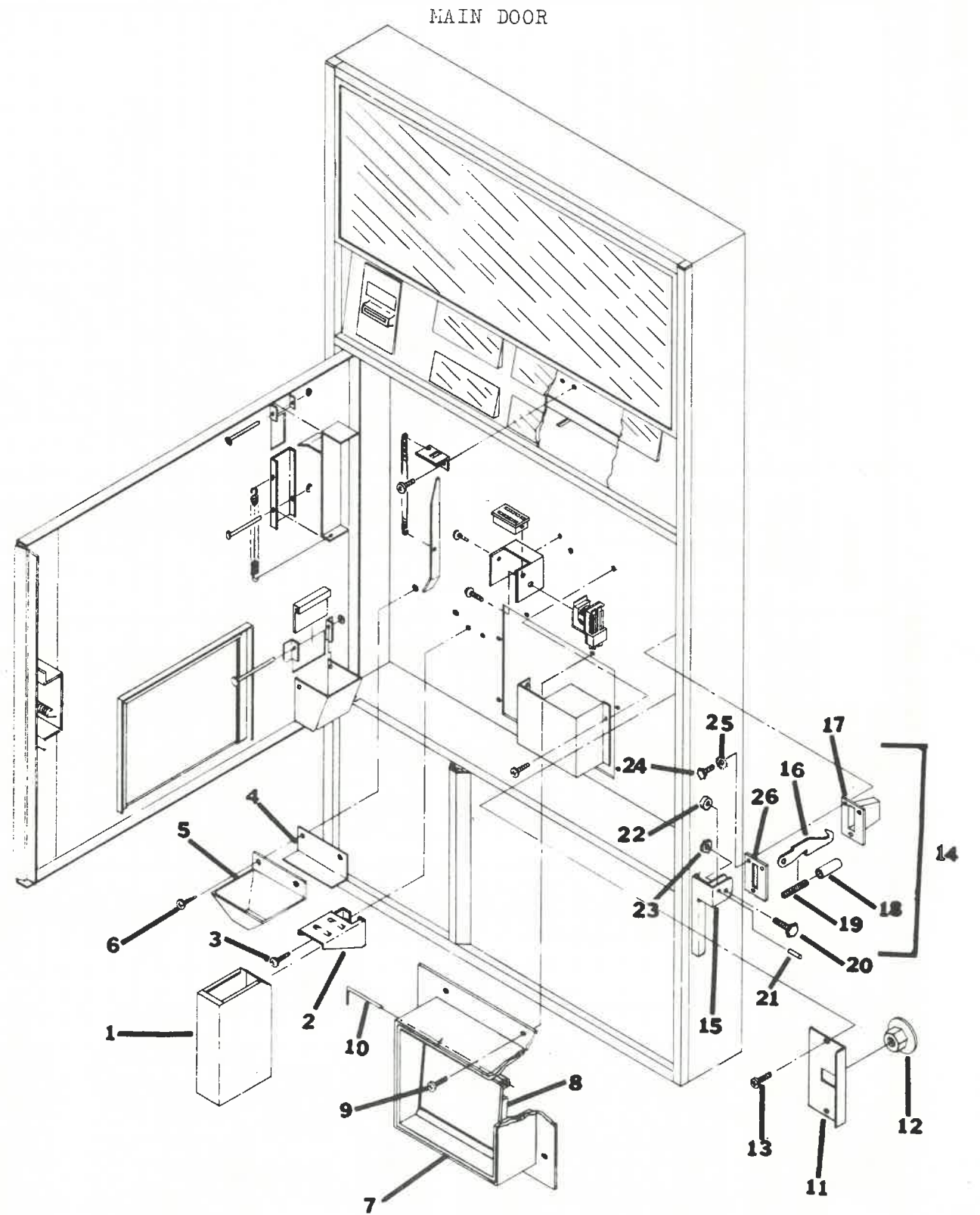


Parts List

DIXIE-NARCO

MAIN DOOR

ITEM NO.	DN300-5 DN310-5 DN365-5	PRICE	DN360-6 DN372-6 DN438-6	PRICE	PART NAME AND DESCRIPTION
1	F144,160,000.53	\$295.00	F146,160,000.63	\$297.00	Main Door Assembly
2	D144,050,103.03	115.00	D146,050,101.43	120.00	Main Door, W/A
3	D801,802,890.71	16.80	C146,050,440.43	25.00	Inner Door Panel
4			B801,803,120.11	8.00	Inner Door Panel, S/A
5	B801,801,920.01	4.50			Gasket
6	A901,803,220.41	.30	A801,803,220.41	.30	Cap Extrusion SPECIFY: HAS TRIM WITH
7	A801,602,390.01	1.50	A801,602,380.01	2.00	Trim
8	A801,602,420.01	3.90	A801,602,430.01	3.90	Trim, R.S.
9	A801,602,420.01	3.90	A801,602,420.01	3.90	Trim, L.S.
10	A143,160,090.33	1.50	A146,160,920.33	2.00	Trim
11	A143,160,060.33	1.50	A143,160,060.33	1.50	Trim
12	A143,160,020.23	1.00	A146,160,830.23	1.00	Trim
13	902,700,160.02	.05	902,700,160.02	.05	Tee Bolt, #8-32 x 1/2
14	900,800,500.01	.05	900,800,500.01	.05	Keeps Nut
15	801,901,160.01	.75/sq. ft.	801,901,160.01	.75/sq. ft.	Woodgrain (Specify length x width)
16	A143,160,040.33	1.30	A143,160,040.33	1.30	Trim, delivery port SPECIFY: BLACK OR
17	A143,160,030.33	1.30	A143,160,030.33	1.30	Trim, delivery port
18	A142,160,780.43	1.30	A142,160,780.43	1.30	Trim, delivery port
19	NOT NEEDED		NOT NEEDED		FINISH
20	NOT NEEDED		NOT NEEDED		
21	NOT NEEDED		NOT NEEDED		
22	900,400,350.01	.05	900,400,350.01	.05	Tee Bolt, #8-32 x 3/4
23	A142,160,820.43	1.00	A142,160,820.43	1.00	Security Plate
24	BM143,012,000.04	4.80	BM143,012,000.04	4.80	Steel Can Stop
25	B901,301,950.11	.60	B901,301,950.11	.60	Frame, Coin Return
26	C143,161,100.53	20.00	C146,160,400.63	25.00	Bottom Door Panel Assembly
27	801,501,460.01	7.50	801,501,460.01	7.50	Handle, pop-out, w/ screws
28	801,501,470.01	4.80	801,501,470.01	4.80	Lock Body, w/2 keys
29		.50		.50	Key - specify number
30	900,901,510.02	.10	900,901,510.02	.10	Screw, Machine #10-32
31	900,901,960.02	.05	900,901,960.02	.05	Hex Nut - #10-32
32	903,000,170.02	.05	903,000,170.02	.05	Lockwasher, #10

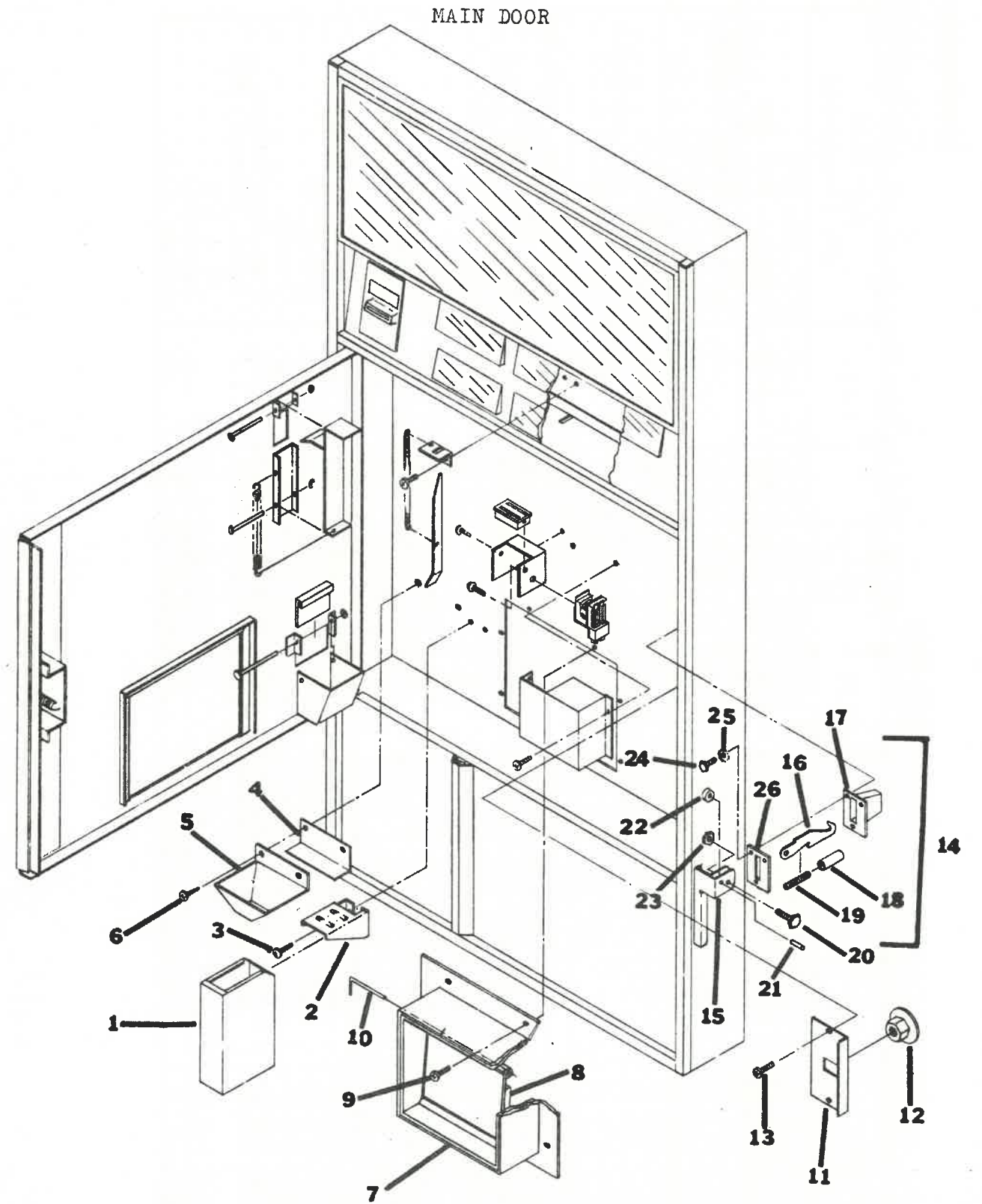


Parts List

DIXIE-NARCO

MAIN DOOR

ITEM NO.	DN150-5 DN175-5	PRICE	DN180-5 DN215-5	PRICE	DN225-5 DN240-5 DN275-5	PRICE	PART NAME AND DESCRIPTION
1-	B52,050,801.63	\$ 3.20	B52,050,801.63	\$ 3.20	B146,050,900.63	\$ 3.20	Cash_Box, W/A
2-	B901,300,601.01	1.40	B901,300,601.01	1.40	B801,203,260.11	1.40	Hanger, Cash Box
3	900,200,390.01	.05	900,200,390.01	.05	900,200,390.01	.05	Screw, Sems #8 x 3/8
4-	A146,161,030.43	.30	A146,161,030.43	.30	A146,161,030.43	.30	Support, Change Hopper
5-	B96,050,731.13	1.00	B96,050,731.13	1.00	B96,050,731.13	1.00	Change Hopper
6	900,300,050.01	.05	900,300,050.01	.05	900,300,050.01	.05	Screw, S/M #8 x 1/2
7-	D801,803,290.41	10.20	D801,803,290.41	10.20	D801,803,290.71	10.20	Delivery Chute
8-	C143,051,900.53	5.00	C143,051,900.53	5.00	C143,051,900.53	5.00	Delivery Door Assembly
9	900,300,050.01	.05	900,300,050.01	.05	900,300,050.01	.05	Screw, S/M #8 x 1/2
10	A801,400,850.41	.40	A801,400,850.41	.40	A801,400,850.41	.40	Hinge Pin
11	A152,050,020.13	.50	A152,050,020.13	.50	A152,050,020.13	.50	Reinforcement, Lock Nut
12	900,800,540.01	.15	900,800,540.01	.15	900,800,540.01	.15	Hex Nut, flanged
13	900,301,510.01	.05	900,301,510.01	.05	900,301,510.01	.05	Screw, S/M #8 x 3/4
14	B71,052,701.13	6.00	B71,052,701.13	6.00	B71,052,701.13	6.00	Handle & Hook S/A
15	B801,501,420.31	2.50	B801,501,420.31	2.50	B801,501,420.31	2.50	Handle Only
16	B201,400,451.21	.50	B201,500,451.21	.50	B201,500,451.21	.50	Hook
17	B201,800,840.61	.50	B201,800,840.61	.50	B201,800,840.61	.50	Latch Case
18	A143,052,240.33	.20	A143,052,240.33	.20	A143,052,240.33	.20	Sleeve - spring
19	901,700,560.01	.30	901,700,560.01	.30	901,700,560.01	.30	Spring
20	A800,501,270.01	.20	A800,501,270.01	.20	A800,501,270.01	.20	Screw, shoulder
21	900,200,620.01	.05	900,200,620.01	.05	900,200,620.01	.05	Roller Pin
22	A200,501,210.01	.20	A200,501,210.01	.20	A200,501,210.01	.20	Bushing
23	900,800,510.01	.05	900,800,510.01	.05	900,800,510.01	.05	Stop Nut, Elastic
24	900,200,290.01	.10	900,200,290.01	.10	900,200,290.01	.10	Screw, Machine, #10-24 x 3/4
25	903,000,170.02	.05	903,000,170.02	.05	903,000,170.02	.05	Lockwasher
26	A901,500,481.11	.80	A901,500,481.11	.80	A901,500,481.11	.80	Bearing Plate



Parts List

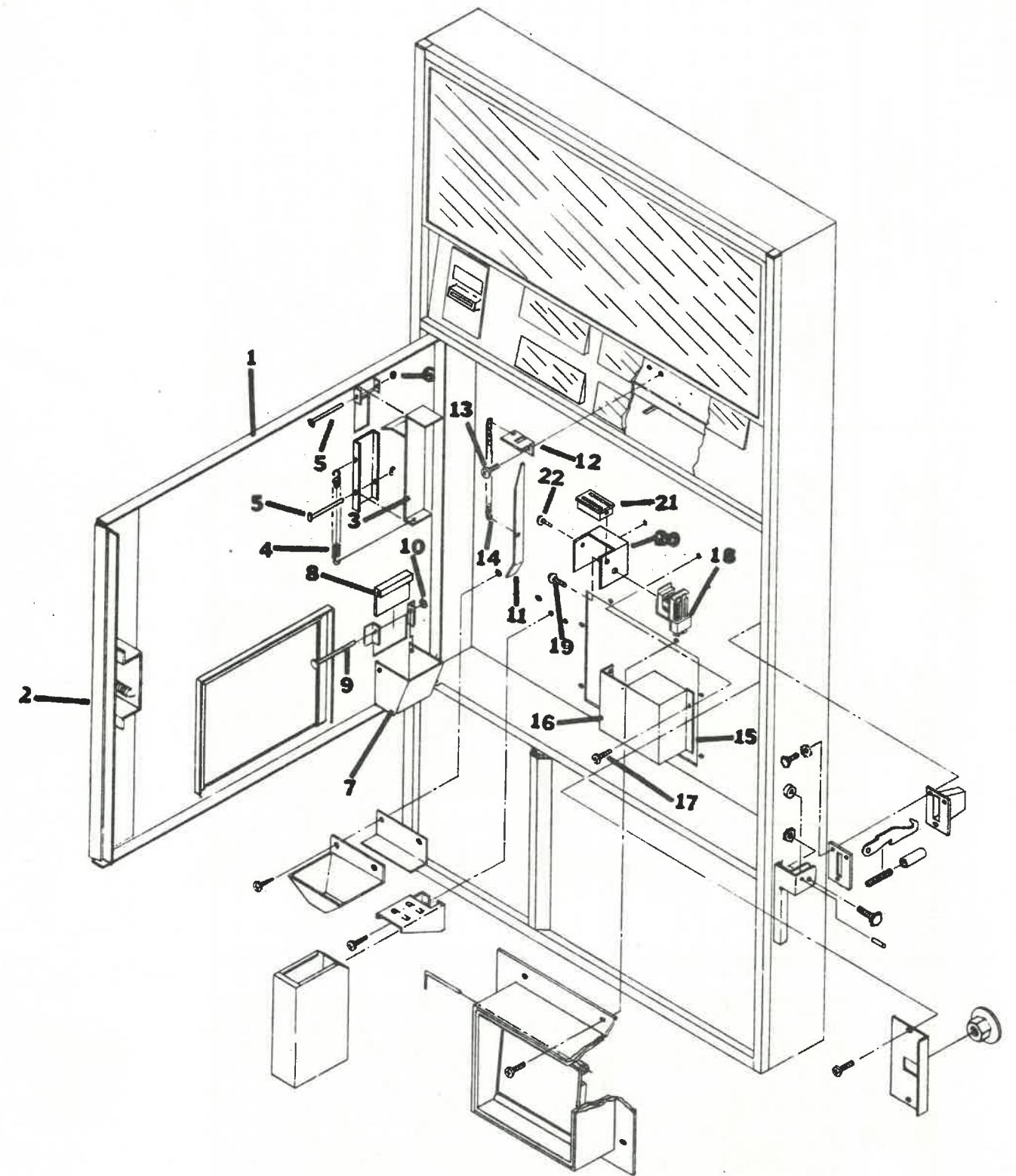
DIXIE-NARCO

1211

MAIN DOOR

ITEM NO.	DN300-5 DN310-5 DN365-5	PRICE	DN360-6 DN372-6 DN438-6	PRICE	PART NAME AND DESCRIPTION
1	B146,050,900,62	\$ 3.20	B146,050,900,62	\$ 3.20	Cash_Box, W/A
2	B801,303,260,11	1.40	B801,303,260,11	1.40	Hanger, Cash Box
3	900,200,390,01	.05	900,200,390,01	.05	Screw, Sems, # 8 x 3/8
4	A146,161,030,42	.30	A146,161,030,42	.30	Support, Change Hopper
5	B96,050,721,12	1.00	B96,050,721,12	1.00	Change Hopper
6	900,300,050,01	.05	900,300,050,01	.05	Screw, S/M, #8 x 1/2
7	D801,803,300,71	10.20	D801,803,300,71	10.20	Delivery Chute
8	C143,051,900,52	5.00	C143,051,900,52	5.00	Delivery Door Assembly
9	900,300,050,01	.05	900,300,050,01	.05	Screw, S/M, #8 x 1/2
10	A801,400,850,11	.40	A801,400,850,11	.40	Hinge Pin
11	A155,050,020,12	.50	A155,050,020,12	.50	Reinforcement, Lock Nut
12	900,800,540,01	.15	900,800,540,01	.15	Hex Nut, flanged
13	900,301,510,01	.05	900,301,510,01	.05	Screw, S/M #8 x 3/4
14	B71,055,701,12	6.00	B71,055,701,12	6.00	Handle & Hook, S/A
15	B801,501,420,31	2.50	B801,501,420,31	2.50	Handle Only
16	B901,500,451,21	.50	B901,500,451,21	.50	Hook
17	B901,800,840,61	.50	B901,800,840,61	.50	Latch Case
18	A143,052,240,32	.20	A143,052,240,32	.20	Sleeve, spring
19	901,700,560,01	.30	901,700,560,01	.30	Spring
20	A800,501,270,41	.20	A800,501,270,41	.20	Screw, shoulder
21	900,900,620,01	.05	900,900,620,01	.05	Roller Pin
22	A900,501,210,01	.20	A900,501,210,01	.20	Bushing
23	900,800,510,01	.05	900,800,510,01	.05	Stop Nut, Elastic
24	900,200,290,01	.05	900,200,290,01	.05	Screw, Machine, #10-24 x 3/4
25	903,000,170,02	.05	903,000,170,02	.05	Lockwasher
26	A901,500,481,11	.80	A901,500,481,11	.80	Bearing Plate

ACCESS DOOR AREA



Parts List

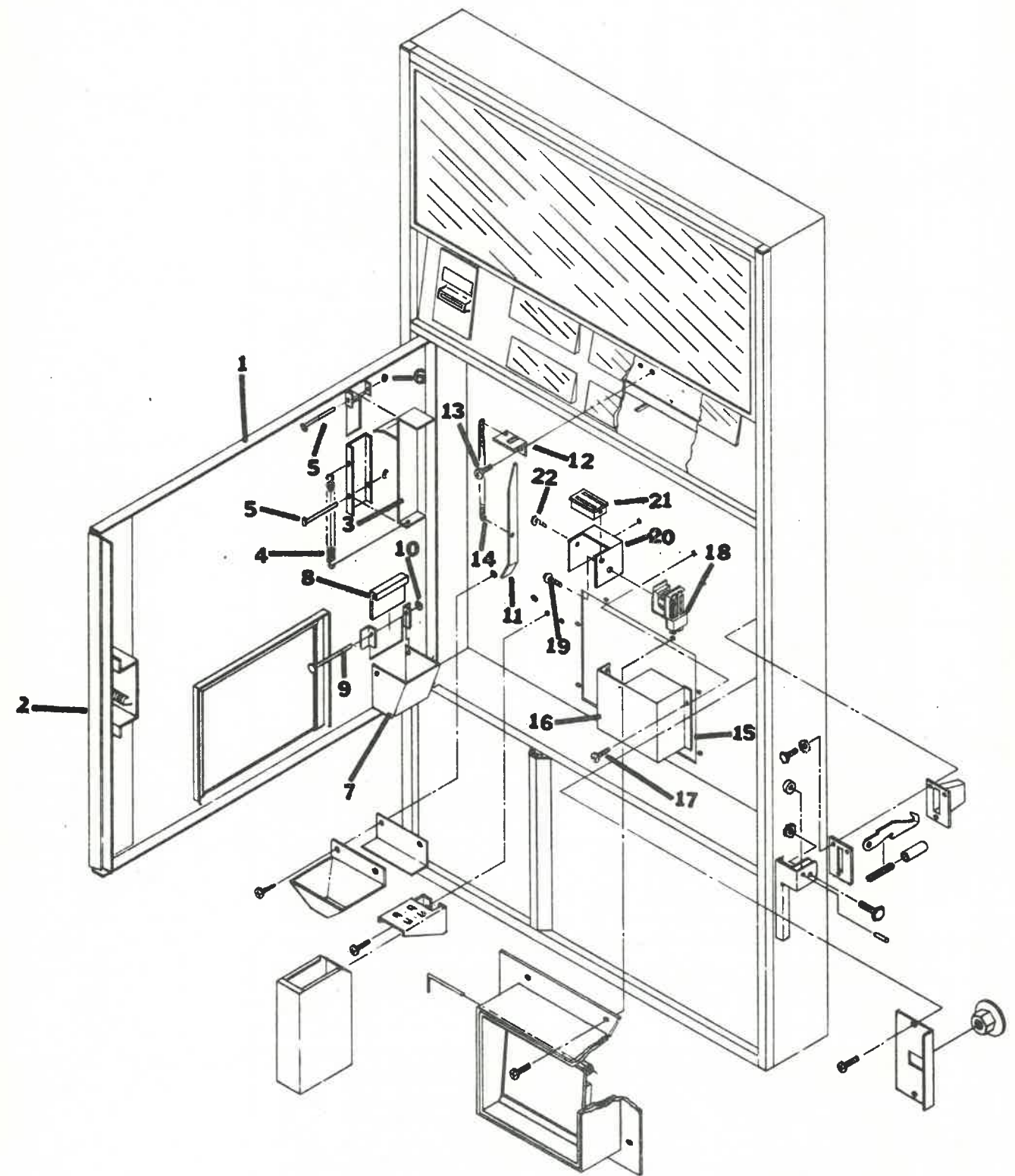
DIXIE-NARCO

1211

ACCESS DOOR AREA

ITEM NO.	DN150-5 DN175-5	PRICE	DN180-5 DN215-5	PRICE	DN225-5 DN240-5 DN275-5	PRICE	PART NAME AND DESCRIPTION
1	D142,160,801.03	\$70.00	D142,160,801.03	\$70.00	D143,160,800.83	\$60.00	Access Door Assembly
2	D142,160,700.83	35.00	D142,160,700.83	35.00	D143,160,700.73	35.00	Access Door, W/A
3	B96,051,601.03	2.50	B96,051,601.03	2.50	B96,051,601.03	2.50	Slide S/A, Coin Return
4	A901,700,210.21	.20	A901,700,210.21	.20	A901,700,210.21	.20	Spring
5	A900,501,150.01	.05	A900,501,150.01	.05	A900,501,150.01	.05	Hinge Pin
6	900,900,900.01	.05	900,900,900.01	.05	900,900,900.01	.05	Retaining Ring
7	B142,162,400.83	2.50	B142,162,400.83	2.50	B142,162,400.83	2.50	Change Cup, S/A
8	B801,803,250.21	.70	B801,803,250.21	.70	B801,803,250.21	.70	Door, Coin Return Cup
9	A900,501,820.01	.05	A900,501,820.01	.05	A900,501,820.01	.05	Hinge Pin
10	900,900,900.01	.05	900,900,900.01	.05	900,900,900.01	.05	Retaining Ring
11	B143,051,010.53	.50	B143,051,010.53	.50	B143,051,010.53	.50	Latch Bar, Selector
12	A143,051,020.63	.50	A143,051,020.63	.50	A143,051,020.63	.50	Panel Guide, Latch Bar,
13	900,200,390.01	.05	900,200,390.01	.05	900,200,390.01	.05	Selector Panel
14	A901,700,210.31	.20	A901,700,210.31	.20	A901,700,210.31	.20	Screw, Machine #8-32 x 3/8
15	C143,054,900.83	15.00	C143,054,900.83	15.00	A901,700,210.31	.20	Spring
16	B143,052,120.13	2.00	B143,052,120.13	2.00	C143,054,900.83	15.00	Relay Box Assembly
17	900,200,390.01	.05	900,200,390.01	.05	B143,052,120.13	2.00	Cover, Relay Box
18	804,200,110.01	4.50	804,200,110.01	4.50	900,200,390.01	.05	Screw, Sems
19	900,200,760.01	.05	900,200,760.01	.05	804,200,110.01	4.50	Relay
20	B143,052,130.23	.90	B143,052,130.23	.90	900,200,760.01	.05	Screw, #8-32 x 3/8
21	904,201,500.01	1.50	904,201,500.01	1.50	B143,052,130.23	.90	Bracket, Relay and socket
22	900,200,660.01	.05	900,200,660.01	.05	904,201,500.01	1.50	Socket, Coin Changer
					900,200,660.01	.05	Screw, Machine, #6-32 x 3/8

ACCESS DOOR AREA



Parts List

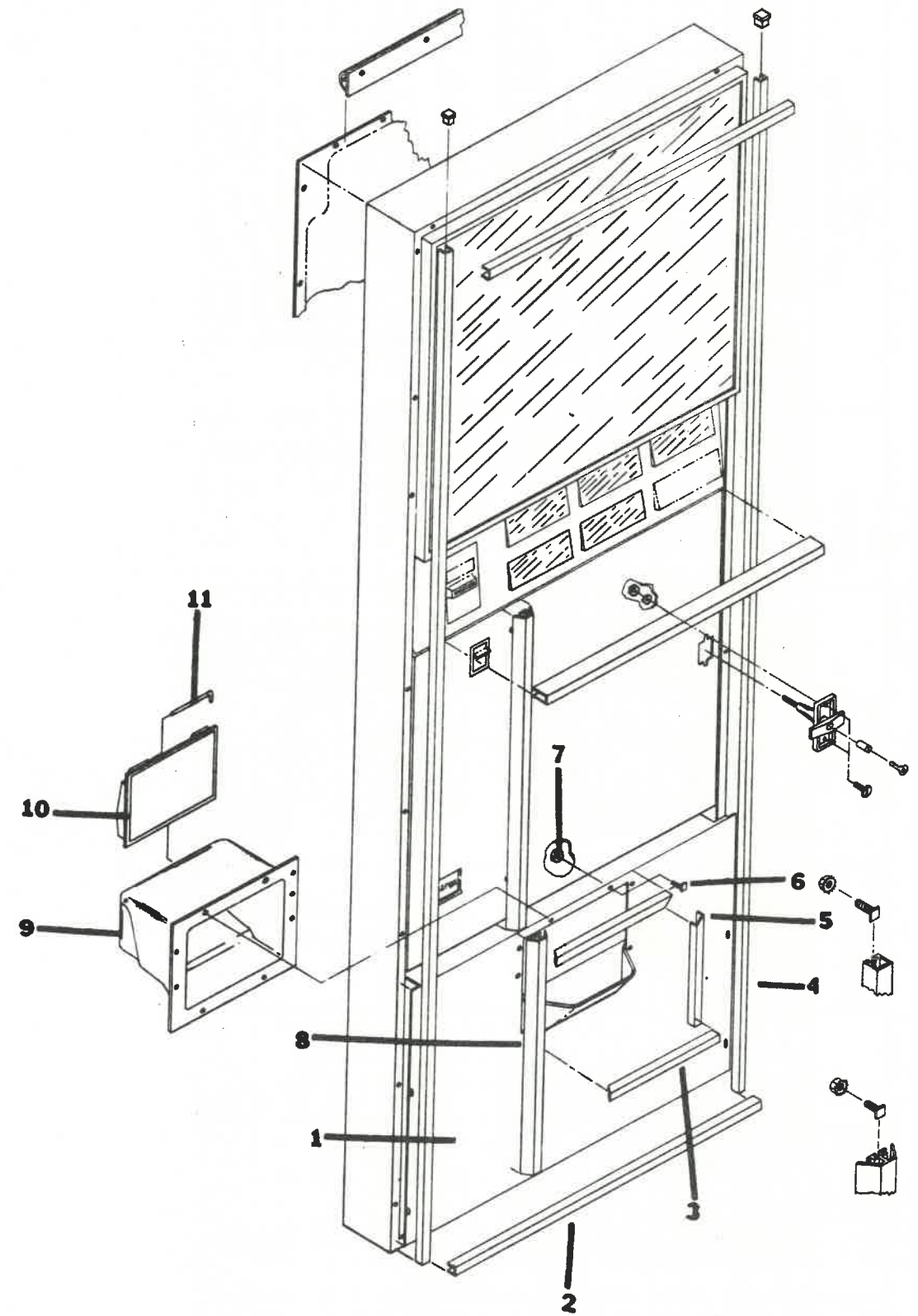
DLXIE-NARCO

1211

ACCESS DOOR AREA

ITEM NO.	DN300-5 DN310-5 DN365-5	PRICE	DN360-6 DN372-6 DN438-6	PRICE	PART NAME AND DESCRIPTION
1	D143,160,800.83	\$60.00	D146,160,300.83	\$70.00	Access Door Assembly
2	D143,160,700.73	35.00	D146,160,200.83	40.00	Access Door, W/A
3	B96,051,601.03	2.50	B96,051,601.03	2.50	Slide S/A, Coin Return
4	A901,700,210.31	.20	A901,700,210.31	.20	Spring
5	A900,501,150.01	.05	A900,501,150.01	.05	Hinge Pin
6	900,900,900.01	.05	900,900,900.01	.05	Retaining Ring
7	B142,162,400.83	2.50	B142,162,400.83	2.50	Change Cup, S/A
8	B801,803,250.21	.70	B801,803,250.21	.70	Door, Coin Return Cup
9	A900,501,820.01	.05	A900,501,820.01	.05	Hinge Pin
10	900,900,900.01	.05	900,900,900.01	.05	Retaining Ring
11	B143,051,010.53	.50	B143,051,010.53	.50	Latch Bar, Selector Panel
12	A143,051,020.63	.50	A143,051,020.63	.50	Guide, Latch Bar, Selector Panel
13	900,200,390.01	.05	900,200,390.01	.05	Panel
14	A901,700,210.31	.20	A901,700,210.31	.20	Screw, Machine #8-32 x 3/8 Spring
15	C143,054,900.83	15.00	C143,054,900.83	15.00	Relay Box Assembly
16	B143,052,120.13	2.00	B143,052,120.13	2.00	Cover, Relay Box
17	900,200,390.01	.05	900,200,390.01	.05	Screw, Sems
18	804,200,110.01	4.50	804,200,110.01	4.50	Relay
19	900,200,760.01	.05	900,200,760.01	.05	Screw, #8-32 x 3/8
20	B143,052,130.23	.20	B143,052,130.23	.20	Bracket, Relay and socket
21	904,901,500.01	1.50	904,901,500.01	1.50	Socket, Coin Changer
22	900,200,660.01	.05	900,200,660.01	.05	Screw, Machine, #6-32 x 3/8

BOTTOM DOOR AND TRIM



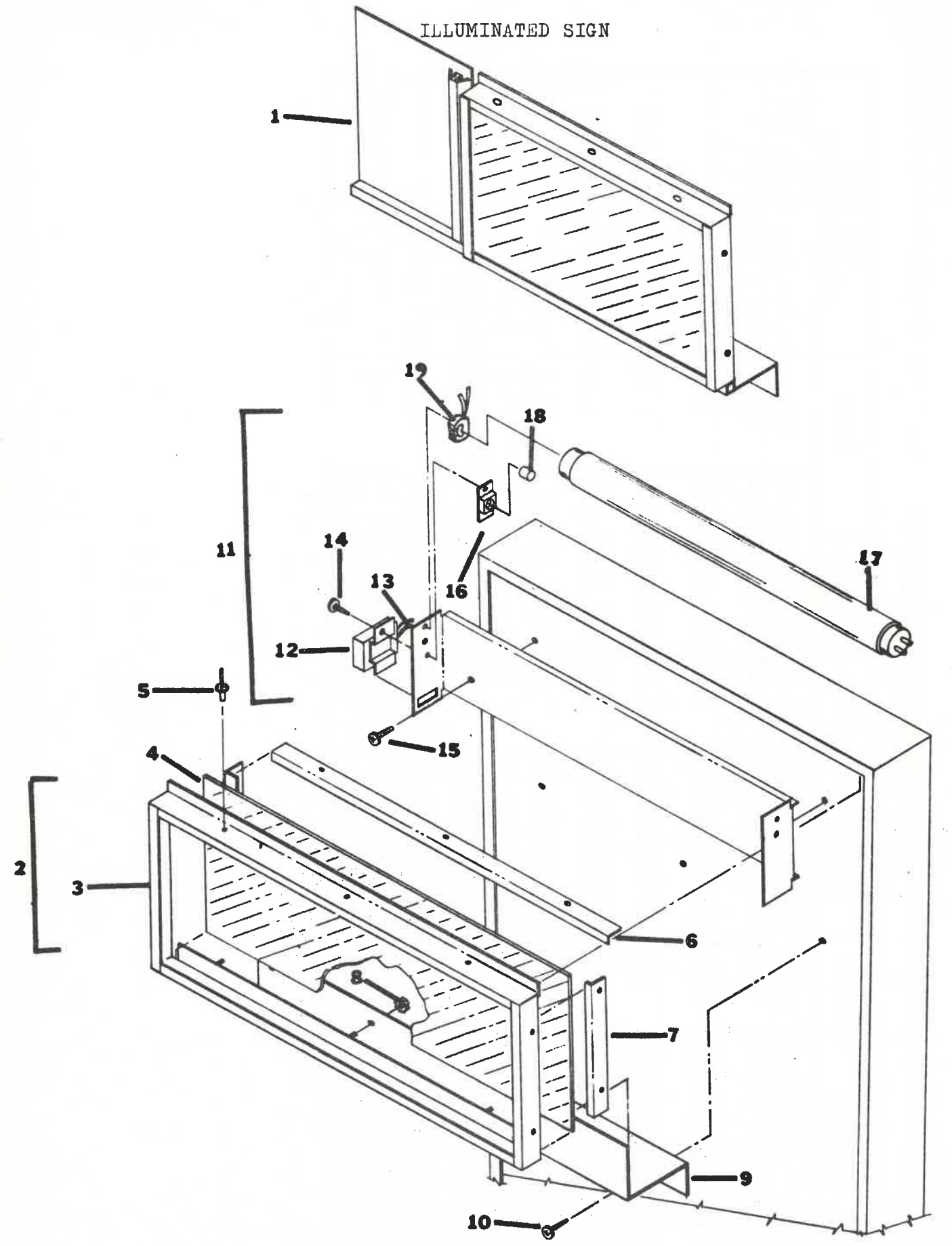
Parts List

1211

DIXIE-NARCO

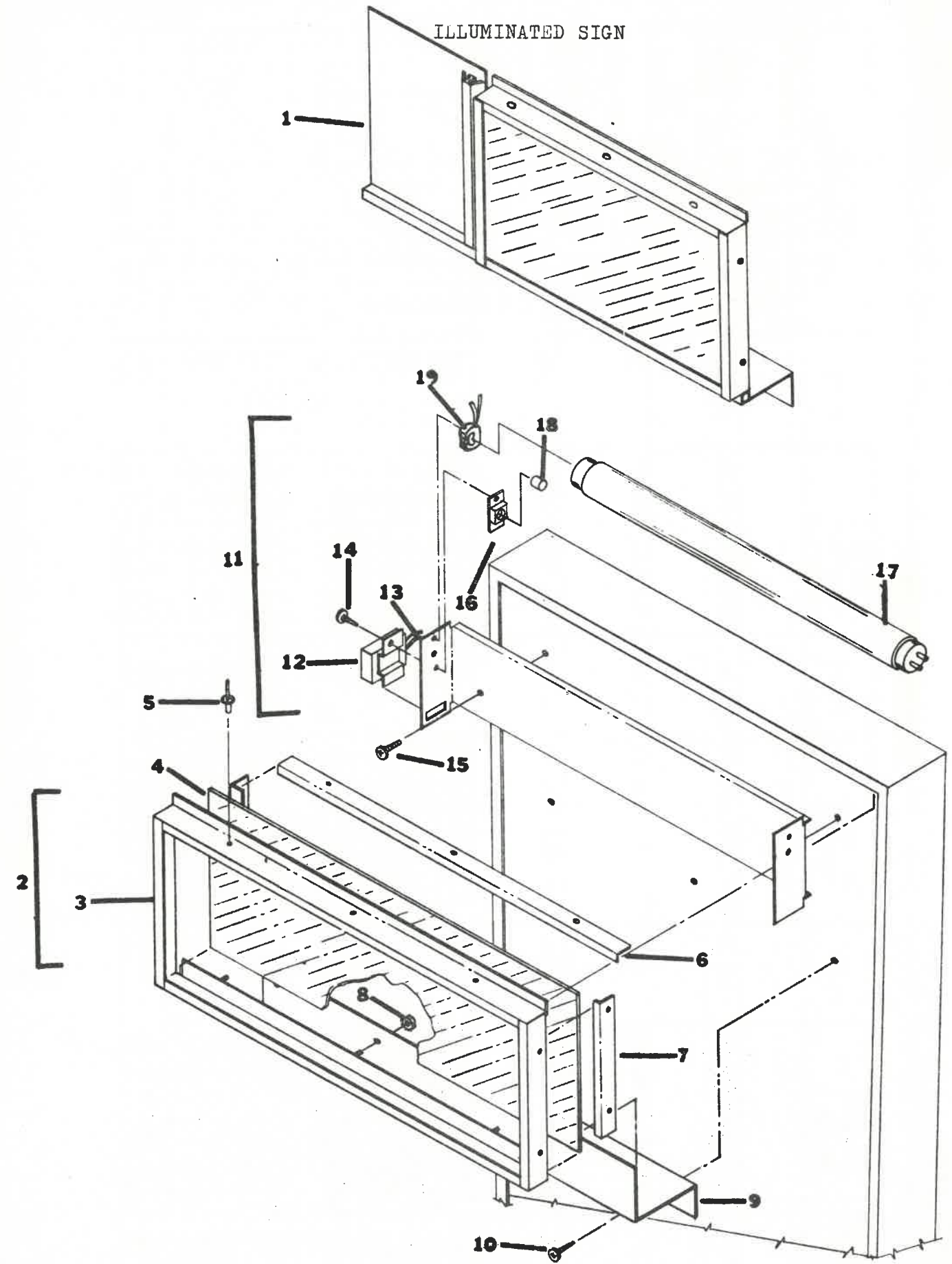
BOTTOM DOOR AND TRIM

ITEM NO.	DN225-5 DN240-5 DN275-5	PRICE	DN300-5 DN310-5 DN365-5	PRICE	DN360-6 DN372-6 DN438-6	PRICE	PART NAME AND DESCRIPTION
1	C143,161,100.53	\$23.00	C143,161,100.53	\$23.00	C146,160,400.63	\$25.00	Bottom Door Panel, S/A
2	C801,602,390.01	1.50	A801,602,390.01	1.50	A801,602,390.01	1.50	Trim - Horizontal, bottom door
3	A143,160,030.33	1.30	A143,160,030.33	1.30	A143,160,330.33	1.30	Trim - Bottom delivery port
4	A142,160,780.43	1.30	A142,160,780.43	1.30	A142,160,780.43	1.30	Trim - Delivery port, right side
5	A143,160,040.33	1.30	A143,160,040.33	1.30	A143,160,040.33	1.30	Trim - Top, delivery port
6	900,400,350.01	.05	900,400,350.01	.05	900,400,350.01	.05	Tee Bolt
7	900,800,500.01	.05	900,800,500.01	.05	900,800,500.01	.05	Keps Nut
8	A143,160,020.23	1.30	A143,160,020.23	1.30	A146,160,830.23	1.30	Trim - Delivery port, left side
9	D801,803,300.71	10.20	D801,803,300.71	10.20	D801,803,300.71	10.20	Delivery Chute
10	C143,051,900.53	5.00	C143,051,900.53	5.00	C143,051,900.53	5.00	Delivery Door Assembly
11	A801,400,850.11	.40	A801,400,850.11	.40	A801,400,850.11	.40	Hinge Pin



ILLUMINATED SIGN

ITEM NO.	DN150-5 DN175-5	DN180-5 DN215-5	PRICE	DN160,200.83 DN162,000.43	PRICE	DN160,200.83 DN162,000.43	PRICE	DN225-5 DN240-5 DN275-5	PRICE	PART NAME AND DESCRIPTION
1										Illuminated Sign Assembly ORDER ITEM 2 AS REPLACEMENT
2	D142,160,200.83	D142,160,200.83	\$11.00	D142,160,200.83	\$11.00	D142,160,200.83	\$11.00	D142,160,200.83	\$11.00	Illuminated Sign Assembly SPECIFY: HAS TRIM WITH BLACK FINISH OR, HAS TRIM WITH SILVER FINISH
3	C142,162,000.43	C142,162,000.43	5.00	C142,162,000.43	5.00	C142,162,000.43	5.00	C142,162,000.43	5.00	Sign Frame, W/A SPECIFY: HAS FRAME WITH BLACK FINISH OR, HAS FRAME WITH SILVER FINISH
4	C805,001,470.01	C805,001,470.01	6.00	C805,001,470.01	6.00	C805,001,470.01	6.00	C805,001,470.01	6.00	Drink Sign Only SPECIFY: HAS FRAME WITH BLACK FINISH OR, HAS FRAME WITH SILVER FINISH
5	201,100,400.01	201,100,400.01	.05	201,100,400.01	.05	201,100,400.01	.05	201,100,400.01	.05	Rivet
6	B144,160,070.73	B144,160,070.73	.80	B144,160,070.73	.80	B144,160,070.73	.80	B144,160,070.73	.80	Retainer, Sign, Top
7	A142,160,640.83	A142,160,640.83	.50	A142,160,640.83	.50	A142,160,640.83	.50	A142,160,640.83	.50	Retainer, Angle, Side
8	900,900,420.02	900,900,420.02	.05	900,900,420.02	.05	900,900,420.02	.05	900,900,420.02	.05	Hex Nut, #8-32
9	A142,162,100.73	A142,162,100.73	6.00	A142,162,100.73	6.00	A142,162,100.73	6.00	A142,162,100.73	6.00	Bottom Member, W/A
10	900,200,390.01	900,200,390.01	.05	900,200,390.01	.05	900,200,390.01	.05	900,200,390.01	.05	Screw, #8-32 x 3/8
11	C154,050,100.33	C154,050,100.33	12.00	C154,050,100.33	12.00	C154,050,100.33	12.00	C154,050,100.33	12.00	Fluorescent Lamp Panel Assembly
12	204,400,030.01	204,400,030.01	2.50	204,400,030.01	2.50	204,400,030.01	2.50	204,400,030.01	2.50	Ballast
13	C154,050,010.13	C154,050,010.13	3.00	C154,050,010.13	3.00	C154,050,010.13	3.00	C154,050,010.13	3.00	Lamp Panel, only
14	200,200,660.01	200,200,660.01	.05	200,200,660.01	.05	200,200,660.01	.05	200,200,660.01	.05	Screw, Sems, #6-32x3/8
15	900,301,510.01	900,301,510.01	.05	900,301,510.01	.05	900,301,510.01	.05	900,301,510.01	.05	Screw, S/M, #8 x 3/4
16	204,900,710.01	204,900,710.01	.40	204,900,710.01	.40	204,900,710.01	.40	204,900,710.01	.40	Starter Socket
17	804,700,050.01	804,700,050.01	1.50	804,700,050.01	1.50	804,700,050.01	1.50	804,700,050.01	1.50	Lamp, Fluorescent
18	204,800,060.01	204,800,060.01	.40	204,800,060.01	.40	204,800,060.01	.40	204,800,060.01	.40	Starter
19	904,901,230.01	904,901,230.01	.40	904,901,230.01	.40	904,901,230.01	.40	904,901,230.01	.40	Lamp Holder

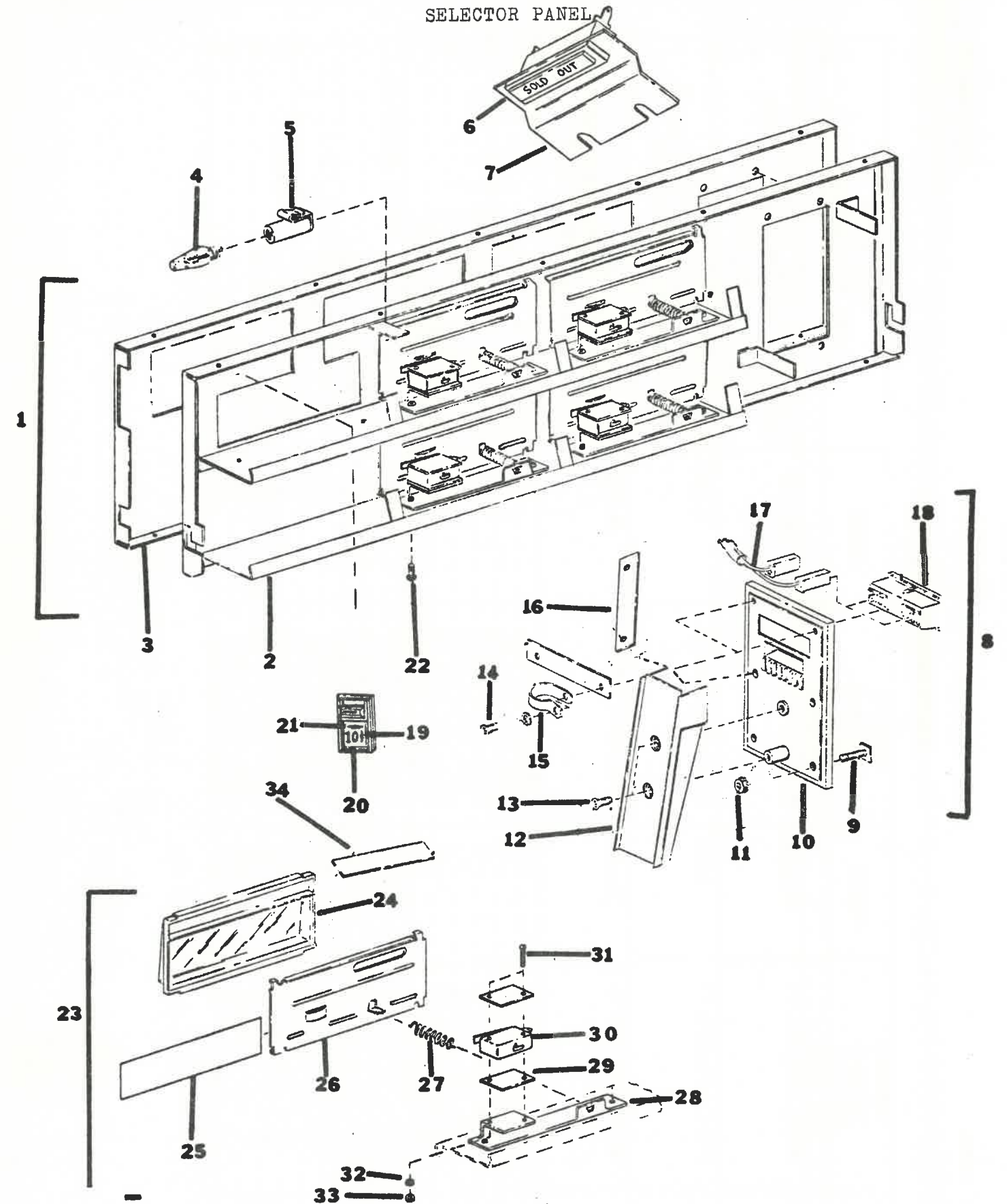


Parts List

DIXIE-NARCO

ILLUMINATED SIGN

ITEM NO.	DN300-5 DN310-5 DN365-5 NOT USED	PRICE	DN360-6 DN372-6 DN438-6 NOT USED	PRICE	PART NAME AND DESCRIPTION
1	DN300-5 DN310-5 DN365-5 NOT USED				
2	D144,160,500.53	\$15.00	D146,160,100.13	\$19.00	ILLuminated Sign Assembly SPECIFY: HAS TRIM WITH BLACK FINISH OR, HAS TRIM WITH SILVER FINISH
3	C144,160,400.33	5.00	C146,160,700.43	5.00	Sign Frame, W/A SPECIFY: HAS FRAME WITH BLACK FINISH OR, HAS FRAME WITH SILVER FINISH
4	B805,001,370.11	10.00	B805,001,380.01	14.00	Drink Sign, Only SPECIFY: HAS FRAME WITH BLACK FINISH OR, HAS FRAME WITH SILVER FINISH
5	901,100,400.01	.05	901,100,400.01	.05	Rivet
6	B144,160,070.73	.80	B146,160,900.23	1.00	Retainer, Sign, Top
7	B144,160,080.63	.60	B146,161,010.93	.60	Retainer Angle, Side
8	900,900,420.02	.05	900,900,420.02	.05	Hex Nut, #8-32
9	A142,162,100.73	6.00	A146,161,500.33	7.00	Bottom Member, W/A
10	900,200,390.01	.05	900,200,390.01	.05	Screw, #8-32 x 3/8
11	C156,050,100.23	20.00	C146,161,900.33	20.00	Fluorescent lamp panel assembly
12	904,400,030.01	2.50	804,400,100.01	2.50	Ballast
13	C156,050,010.03	3.00	C146,161,040.13	5.00	Lamp Panel, Only
14	900,200,660.01	.05	900,200,660.01	.05	Screw Sems, #6-32 x 3/8
15	900,301,510.01	.05	900,301,510.01	.05	Screw S/M, #8 x 3/4
16	904,900,710.01	.40	904,900,710.01	.40	Starter Socket
17	804,700,050.01	1.50	804,700,050.01	1.50	Lamp, Fluorescent
18	904,800,060.01	.40	804,800,410.01	.40	Starter
19	904,901,230.01	.40	904,901,230.01	.40	Lamp Holder



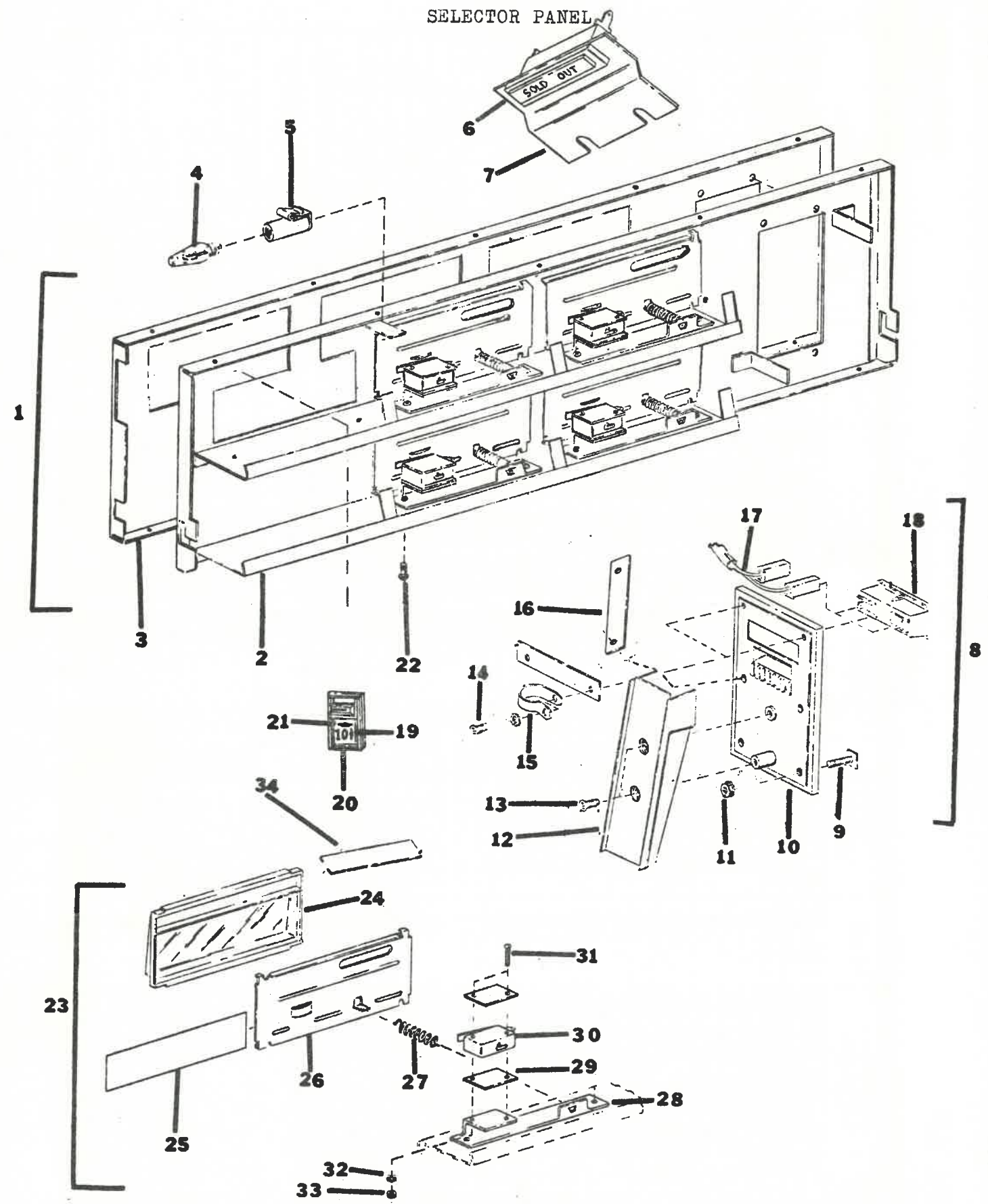
Parts List

DIXIE-NARCO

1211

SELECTOR PANEL

ITEM NO.	DN150-5 DN175-5	PRICE	DN180-5 DN215-5	PRICE	DN225-5 DN240-5 DN275-5	PRICE	PART NAME AND DESCRIPTION
1	D143,050,501.73	\$70.00	D143,050,501.73	\$70.00	D143,050,501.73	\$70.00	Selector Panel Assembly
2	C143,053,801.93	20.00	C143,053,801.93	20.00	C143,053,801.93	20.00	Selector Panel, W/A
3	C143,050,421.43	5.00	C143,050,421.43	5.00	C143,050,421.43	5.00	Cover, Selector Panel
4	204,700,030.01	.30	204,700,030.01	.30	204,700,030.01	.30	Lamp
5	204,901,260.01	1.20	204,901,260.01	1.20	204,901,260.01	1.20	Socket
6	804,700,160.01	.85	804,700,160.01	.85	804,700,160.01	.85	Lamp, Sold Out
7	A801,303,100.11	.20	A801,303,100.11	.20	A801,303,100.11	.20	Bracket, Sold Out
8	BM142,011,300.04	9.00	BM142,011,300.04	9.00	BM142,011,300.04	9.00	Coin Insert (KIT)
9	902,700,160.02	.05	902,700,160.02	.05	902,700,160.02	.05	Tee Bolt
10	C801,200,860.21	4.00	C801,200,860.21	4.00	C801,200,860.21	4.00	Coin Insert (Die Cast)
11	900,800,500.01	.05	900,800,500.01	.05	900,800,500.01	.05	Keys Nut
12	B143,055,300.13	2.00	B143,055,300.13	2.00	B143,055,300.13	2.00	Coin Chute Assembly
13	900,300,110.01	.05	900,300,110.01	.05	900,300,110.01	.05	Screw, S/M #6 x 1/4
14	900,301,520.01	.05	900,301,520.01	.05	900,301,520.01	.05	Screw, S/M #8 x 1/2
15	201,200,550.01	.10	201,200,550.01	.10	201,200,550.01	.10	Clamp
16	A143,051,220.23	.20	A143,051,220.23	.20	A143,051,220.23	.20	Retainer
17	A169,052,400.13	.80	A169,052,400.13	.80	A169,052,400.13	.80	Correct Change Lead
18	A904,700,180.01	2.00	A904,700,180.01	2.00	A904,700,180.01	2.00	Lamp, Correct Change
19	A903,802,440.31	.50	A903,802,440.31	.50	A903,802,440.31	.50	Instruction Sign, 15¢
20	A903,802,540.31	.50	A903,802,540.31	.50	A903,802,540.31	.50	Instruction Sign, 20¢
21	A903,804,420.01	.50	A903,804,420.01	.50	A903,804,420.01	.50	Instruction Sign, 25¢
22	900,301,520.01	.05	900,301,520.01	.05	900,301,520.01	.05	Screw, S/M #8 x 1/4
23	B143,053,600.83	3.00	B143,053,600.83	3.00	B143,053,600.83	3.00	Select Button Assembly
24	C801,802,080.41	2.00	C801,802,080.41	2.00	C801,802,080.41	2.00	Select Button
25	903,806,050.01	.40	903,806,050.01	.40	903,806,050.01	.40	Product Card (specify flavor)
26	B120,092,300.03	.60	B120,092,300.03	.60	B120,092,300.03	.60	Plate, Back-up S/A
27	A901,700,430.11	.05	A901,700,430.11	.05	A901,700,430.11	.05	Spring, Selector Button
28	A801,303,100.11	.20	A801,303,100.11	.20	A801,303,100.11	.20	Bracket
29	A905,800,330.11	.05	A905,800,330.11	.05	A905,800,330.11	.05	Spacer
30	A804,100,300.01	1.50	A804,100,300.01	1.50	A804,100,300.01	1.50	Switch, Selector
31	900,200,720.01	.05	900,200,720.01	.05	900,200,720.01	.05	Screw, machine
32	900,700,350.01	.05	900,700,350.01	.05	900,700,350.01	.05	Lockwasher
33	902,801,620.02	.05	902,801,620.02	.05	902,801,620.02	.05	Hex Nut
34	A903,804,590.01	.40	A903,804,590.01	.40	A903,804,590.01	.40	Sold Out Strip



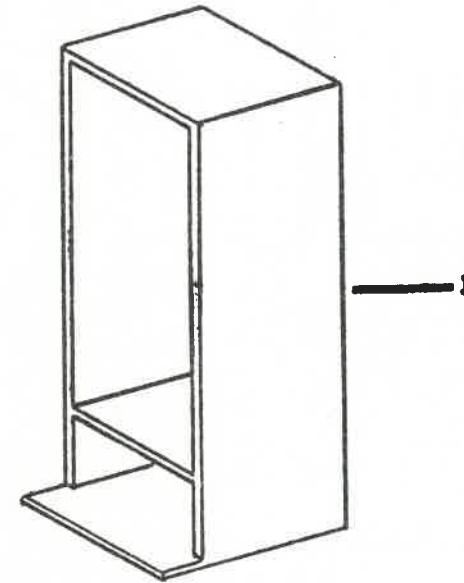
Parts List

DIXIE-NARCO

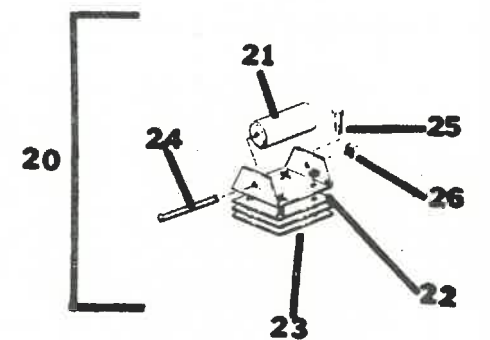
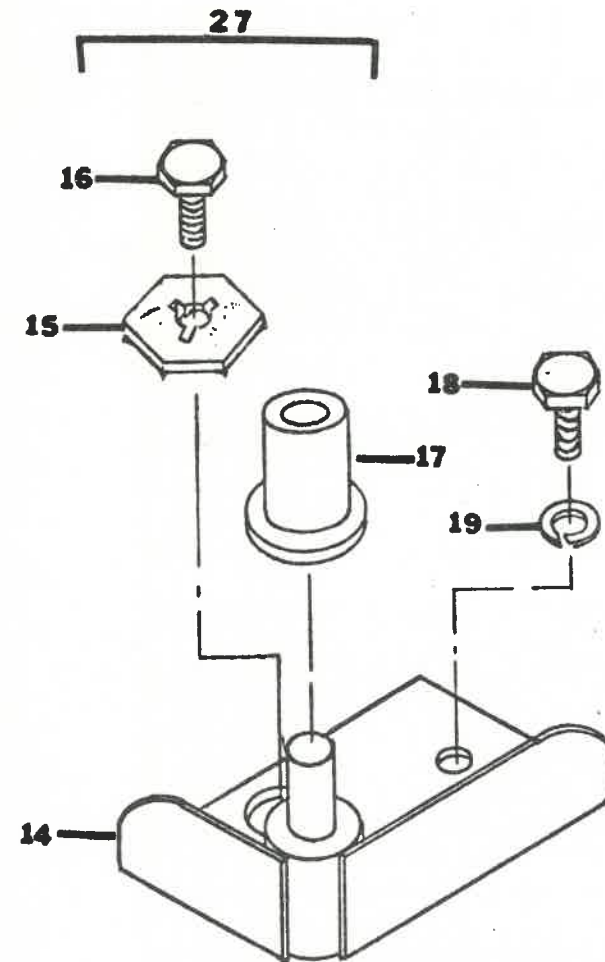
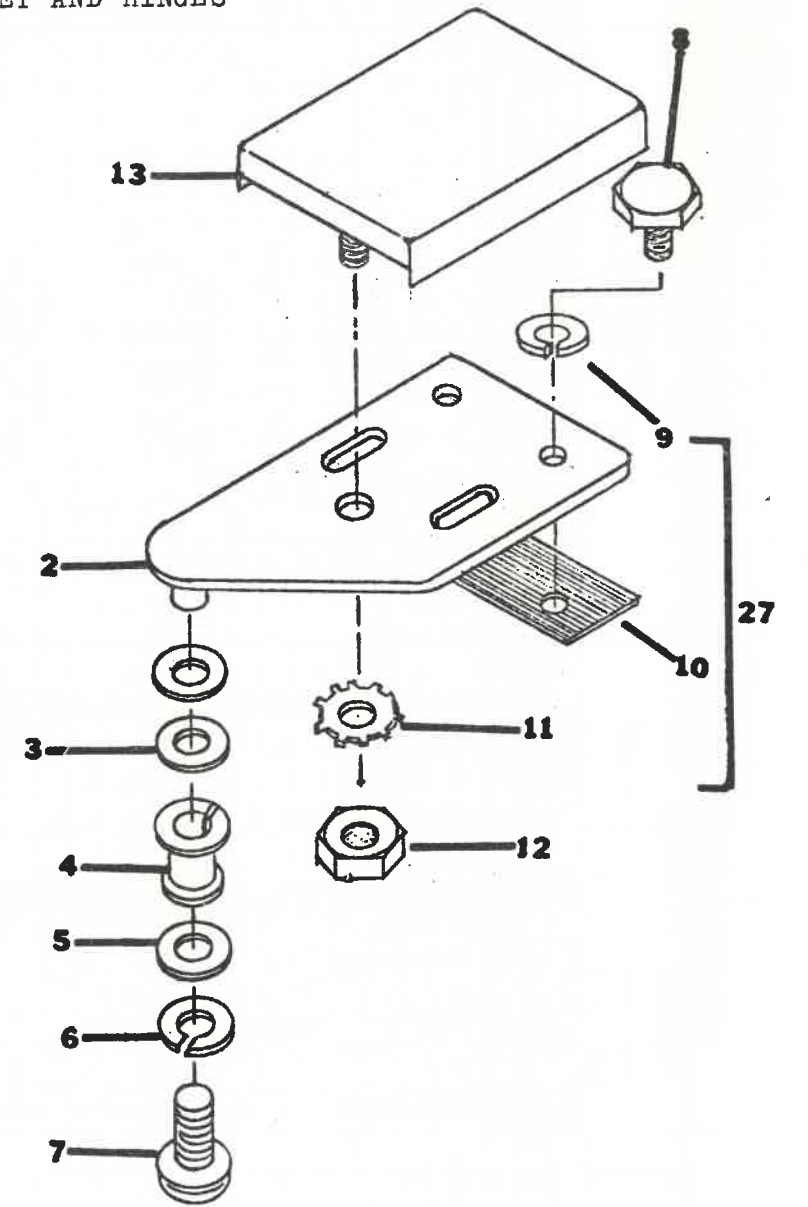
SELECTOR PANEL

ITEM NO.	DN300-5 DN310-5 DN365-5	PRICE	DN360-6 DN372-6 DN438-6	PRICE	PART NAME AND DESCRIPTION
1	D143,050,501.73	\$70.00	D146,050,501.33	\$80.00	Selector Panel Assembly
2	C143,053,801.93	20.00	D146,050,401.03	22.00	Selector Panel, W/A
3	C143,050,420.43	5.00	D146,050,420.73	5.50	Cover, Selector Panel
4	904,700,030.01	.30	904,700,030.01	.20	Lamp
5	904,901,260.01	1.20	904,901,260.01	1.20	Socket
6	804,700,160.01	.85	804,700,160.01	.85	Lamp, Sold Out
7	A801,303,100.11	.20	A801,303,100.11	.20	Bracket, Sold Out
8	BM142,011,300.04	2.00	BM142,011,300.04	2.00	Coin Insert (KIT)
9	902,700,160.02	.05	902,700,160.02	.05	Tee Bolt
10	C801,200,860.21	4.00	C801,200,860.21	4.00	Coin Insert (Die Cast)
11	900,800,500.01	.05	900,800,500.01	.05	Keys Nut
12	B143,055,300.13	2.00	B143,055,300.13	2.00	Coin Chute Assembly
13	900,300,110.01	.05	900,300,110.01	.05	Screw, S/M #6 x 1/4
14	900,301,520.01	.05	900,301,520.01	.05	Screw, S/M #8 x 1/2
15	901,900,550.01	.10	901,900,550.01	.10	Clamp
16	A143,051,220.23	.20	A143,051,220.23	.20	Retainer
17	A169,052,400.13	.80	A169,052,400.13	.80	Correct Change Lead
18	A904,700,180.01	2.00	A904,700,180.01	2.00	Lamp, Correct Change
19	A903,802,440.31	.50	A903,802,440.31	.50	Instruction Sign, 15¢
20	A903,802,540.31	.50	A903,802,540.31	.50	Instruction Sign, 20¢
21	A903,804,420.01	.50	A903,804,420.31	.50	Instruction Sign, 25¢
22	900,301,520.01	.05	900,301,520.01	.05	Screw, S/M #8 x 1/4
23	B143,053,600.83	3.00	B143,053,600.83	3.00	Select Button Assembly
24	C801,802,080.41	2.00	C801,802,080.41	2.00	Select Button
25	903,806,050.01	.40	903,806,050.01	.40	Product Card (specify flavor)
26	B120,092,300.03	.60	B120,092,300.03	.60	Plate, Back-up S/A
27	A901,700,430.11	.05	A901,700,430.11	.05	Spring, Selector Button
28	A801,303,100.11	.20	A801,303,100.11	.20	Bracket
29	A905,800,330.11	.05	A905,800,330.11	.05	Spacer
30	A804,100,300.01	1.50	A804,100,300.01	1.50	Switch, Selector
31	900,200,720.01	.05	900,200,720.01	.05	Screw, machine
32	900,700,350.01	.05	900,700,350.01	.05	Lockwasher
33	902,801,620.02	.05	902,801,620.02	.05	Hex Nut
34	A903,804,590.01	.40	A903,804,590.01	.40	Sold Out Strip

CABINET AND HINGES



Cabinet Shell



Parts List

DIXIE-NARCO

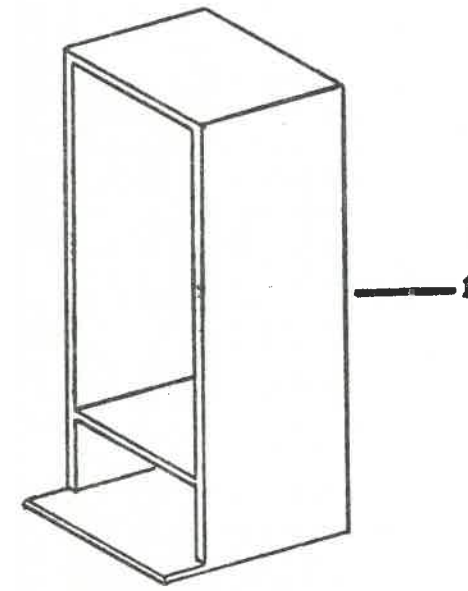
1211

CABINET AND HINGES

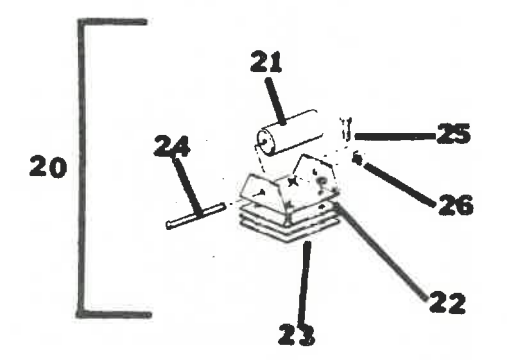
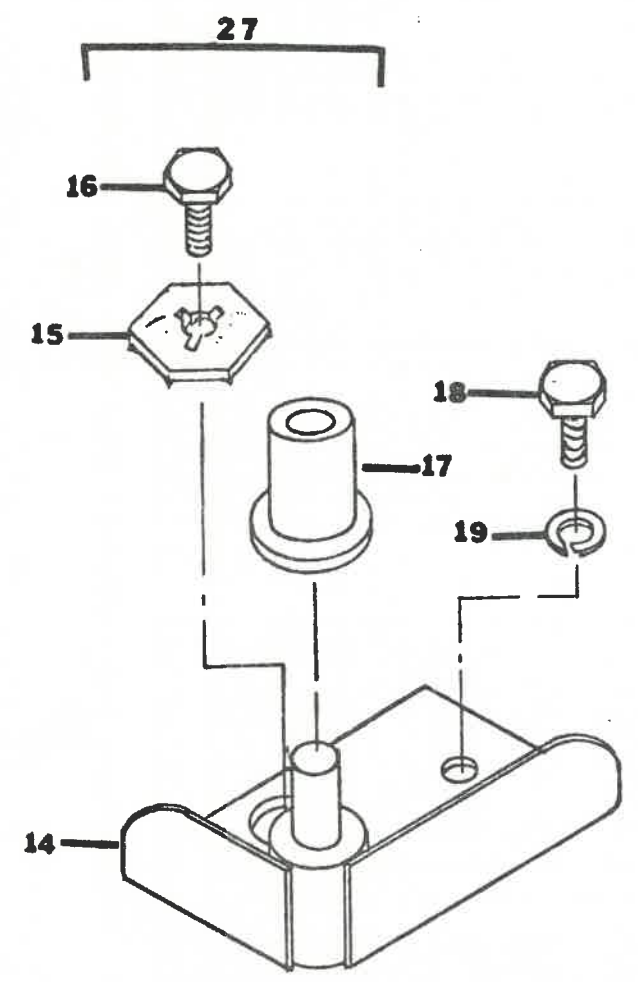
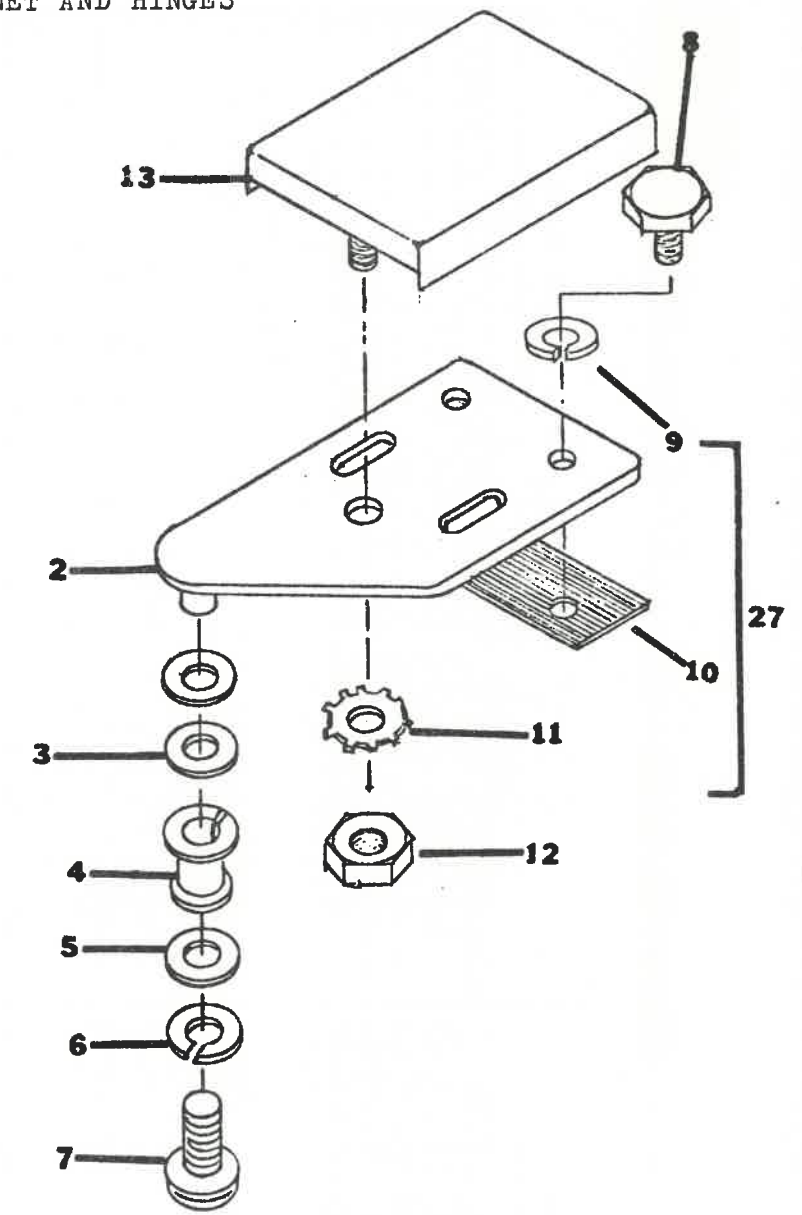
ITEM NO.	DN150-5 DN175-5	PRICE	DN180-5 DN215-5	PRICE	DN225-5 DN240-5 DN275-5	PRICE	PART NAME AND DESCRIPTION
1	FL42,060,000.03	\$100.00	DL54,060,000.23	\$120.00	DL55,060,000.03	\$140.00	Shell and Tank Assembly
2	B801,501,560.01	3.00	B801,501,560.01	3.00	B801,501,560.01	3.00	Top Hinge, S/A
3	900,700,530.01	.05	900,700,530.01	.05	900,700,530.01	.05	Washer
4	801,803,170.01	.10	801,803,170.01	.10	801,803,170.01	.10	Nyliner
5	900,700,060.01	.05	900,700,060.01	.05	900,700,060.01	.05	Flat Washer
6	900,700,340.01	.05	900,700,340.01	.05	900,700,340.01	.05	Lockwasher, #10
7	900,201,140.01	.10	900,201,140.01	.10	900,201,140.01	.10	Shakeproof
8	900,900,470.02	.05	900,900,470.02	.05	900,900,470.02	.05	Screw, Machine, 1/4
9	903,000,070.02	.05	903,000,070.02	.05	903,000,070.02	.05	Screw, Machine, 1/4
10	A96,000,010.73	.30	A96,000,010.73	.30	A96,000,010.73	.30	20 x 3/4
11	903,000,170.02	.05	903,000,170.02	.05	903,000,170.02	.05	Lockwasher
12	900,200,260.02	.05	900,200,260.02	.05	900,200,260.02	.05	Hinge Spacer
13	A95,050,800.63	1.00	A95,050,800.63	1.00	A95,050,800.63	1.00	Lockwasher
14	B162,000,100.13	3.00	B162,000,100.13	3.00	B162,000,100.13	3.00	Hex Nut, #10-32
15	900,700,710.01	.05	900,700,710.01	.05	900,700,710.01	.05	Cover Top Door Hinge S/A
16	900,900,470.02	.05	900,900,470.02	.05	900,900,470.02	.05	Bottom Hinge, W/A
17	A901,800,330.51	.10	A901,800,330.51	.10	A901,800,330.51	.10	Lockwasher, pyramidal
18	900,900,470.02	.05	900,900,470.02	.05	900,900,470.02	.05	Screw, 1/4-20 x 3/4
19	903,000,070.02	.05	903,000,070.02	.05	903,000,070.02	.05	Bushing, Flanged
20	AL42,161,700.33	2.00	AL42,161,700.33	2.00	AL42,161,700.33	2.00	Screw, 1/4-20 x 3/4
21	A801,801,330.51	.60	A801,801,330.51	.60	A801,801,330.51	.60	Lockwasher
22	AL42,160,530.53	.40	AL42,160,530.53	.40	AL42,160,530.53	.40	Door Lifter Roller Assy.
23	AL42,160,580.43	.20	AL42,160,580.43	.20	AL42,160,580.43	.20	Roller
24	AL42,160,540.23	.20	AL42,160,540.23	.20	AL42,160,540.23	.20	Bracket, Roller
25	900,200,290.01	.10	900,200,290.01	.10	900,200,290.01	.10	Spacer, roller bracket
26	900,900,900.01	.05	900,900,900.01	.05	900,900,900.01	.05	Roller Pin
27*	B/M143,012,200.04	3.50	B/M143,012,200.04	3.50	B/M143,012,200.04	3.50	Screw, Machine
							Retaining Ring
							Kit - Hinge Conversion

* If hinges are different from view shown, order Kit for replacement.

CABINET AND HINGES



Cabinet Shell



Parts List

DIXIE-MARCO

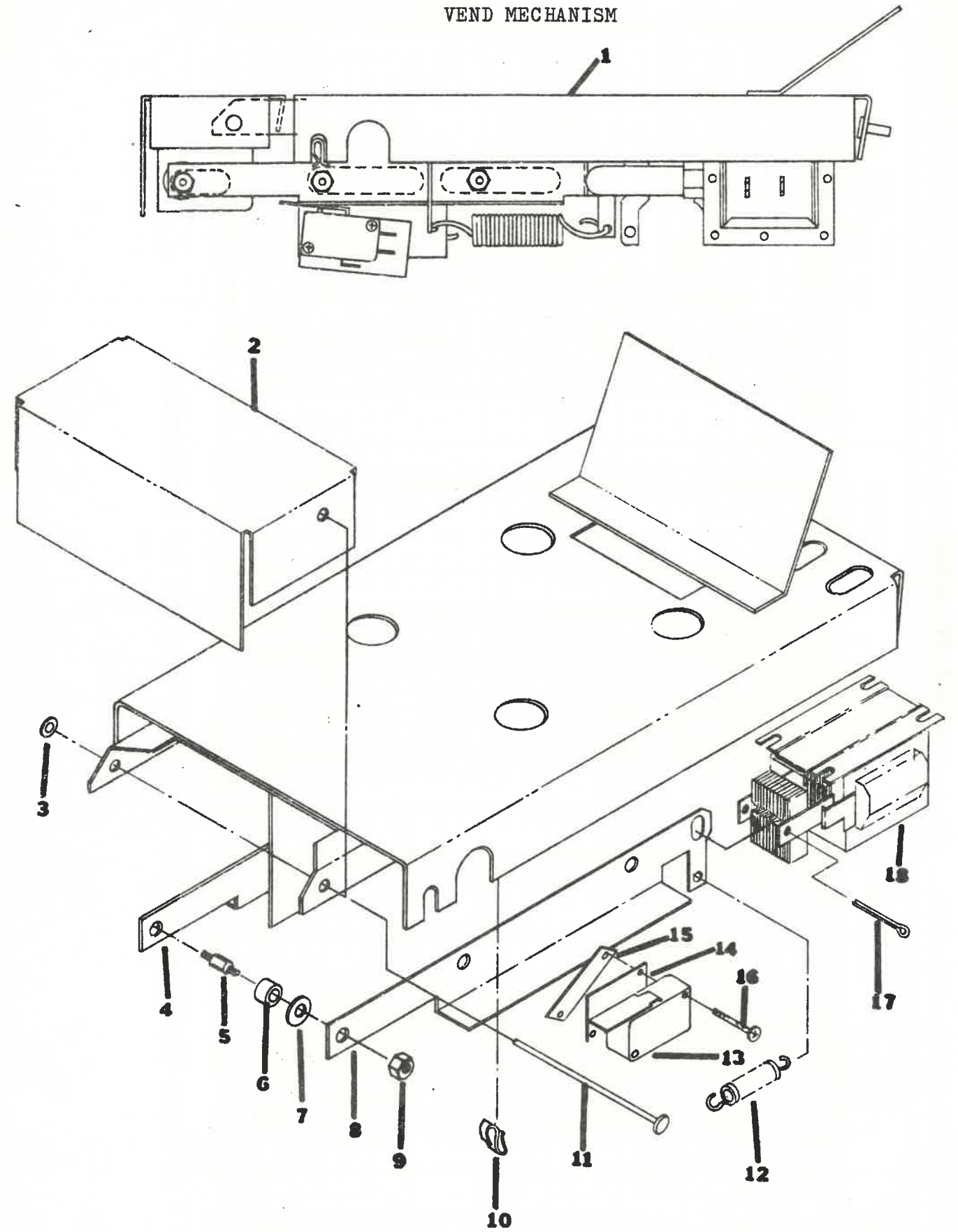
1211

CABINET AND HINGES

ITEM NO.	DN300-5 DN310-5 DN365-5	PRICE	DN360-6 DN372-6 DN438-6	PRICE	PART NAME AND DESCRIPTION
1	D156,060,000,02	\$160.00	F157,060,000,03	\$180.00	Shell and Tank Assembly
2	B801,501,560,01	3.00	B801,501,560,01	3.00	Top Hinge S/A
3	900,700,530,01	.05	900,700,530,01	.05	Washer
4	801,803,170,01	.10	801,803,170,01	.10	Nyliner
5	900,700,060,01	.05	900,700,060,01	.05	Flat Washer
6	900,700,340,01	.05	900,700,340,01	.05	Lockwasher, #10 Shakeproof
7	900,201,140,01	.10	900,201,140,01	.10	Screw, Machine
8	900,900,470,02	.05	900,900,470,02	.05	Screw, Machine, 1/4-20 x 3/4
9	903,000,070,02	.05	903,000,070,02	.05	Lockwasher
10	A96,000,010,73	.30	A96,000,010,73	.30	Hinge Spacer
11	903,000,170,02	.05	903,000,170,02	.05	Lockwasher
12	900,900,960,02	.05	900,900,960,02	.05	Hex Nut, #10-32
13	A95,050,800,63	1.00	A95,050,800,63	1.00	Cover Top Door Hinge, S/A
14	B169,000,100,13	3.00	B169,000,100,13	3.00	Bottom Hinge, S/A
15	900,700,710,01	.05	900,700,710,01	.05	Lockwasher, Pyramidal type
16	900,900,470,02	.05	900,900,470,02	.05	Screw, 1/4-20 x 3/4
17	A901,800,330,51	.10	A901,800,330,51	.10	Bushing, Flanged
18	900,900,470,02	.05	900,900,470,02	.05	Screw, 1/4-20 x 3/4
19	903,000,070,02	.05	903,000,070,02	.05	Lockwasher
20	A142,161,700,32	2.00	A142,161,700,32	2.00	Door Lifter Roller Assembly
21	A801,801,320,51	.60	A801,801,320,51	.60	Roller
22	A142,160,520,52	.40	A142,160,520,52	.40	Bracket, Roller
23	A142,160,580,42	.20	A142,160,580,42	.20	Spacer, Roller bracket
24	A142,160,540,22	.20	A142,160,540,22	.20	Roller pin
25	900,200,220,01	.10	900,200,220,01	.10	Screw, Machine
26	900,900,900,01	.05	900,900,900,01	.05	Retaining Ring
27*	B/M143,012,200,04	3.50	B/M143,012,200,04	3.50	Kit - Hinge Conversion

* If hinges are different from view shown, order Kit for replacement.

VEND MECHANISM



Parts List

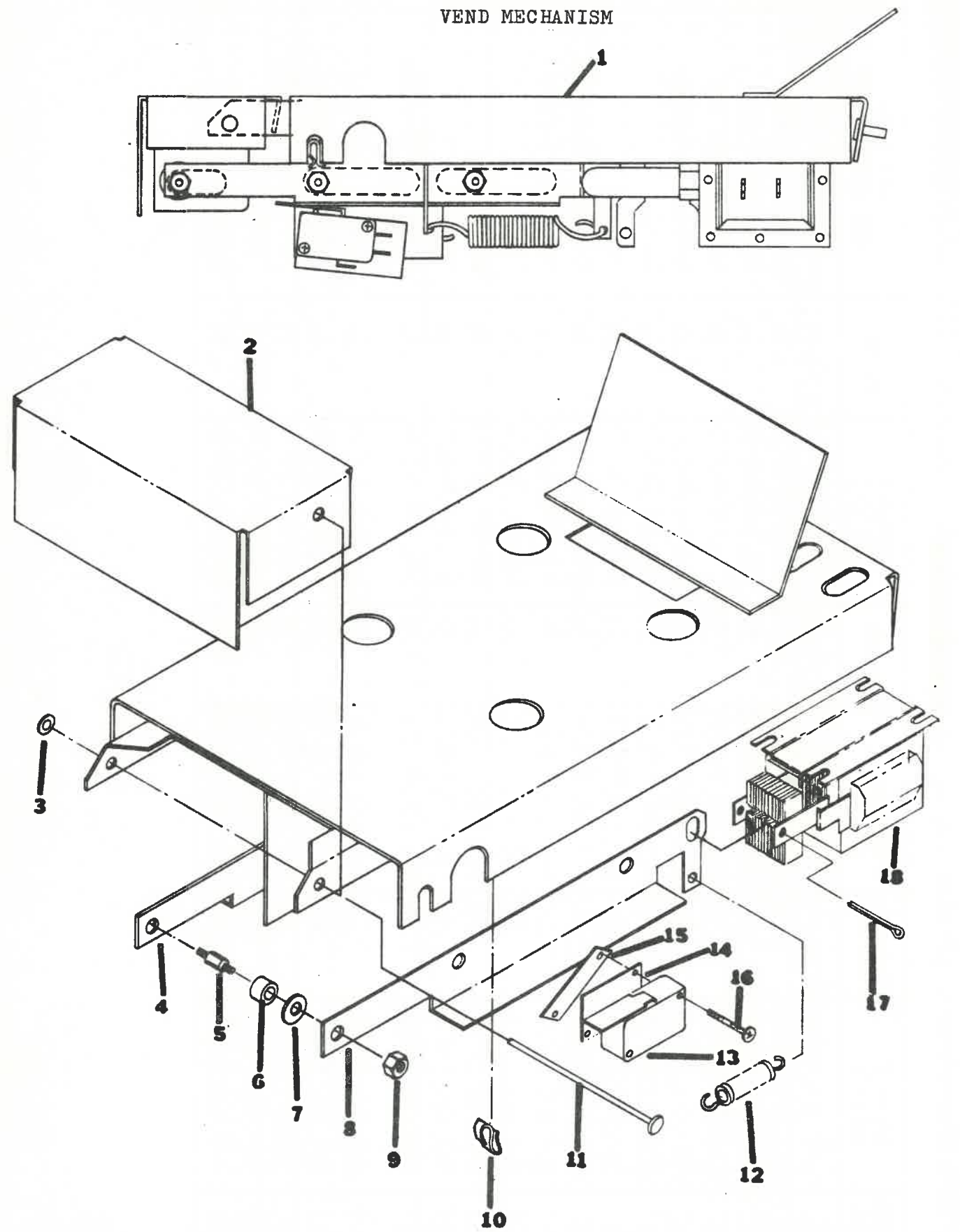
DIXIE-NARCO

1211

VEND MECHANISM

ITEM NO.	DN150-5 DN175-5	PRICE	DN180-5 DN215-5	PRICE	DN240-5 DN275-5	PRICE	PART NAME AND DESCRIPTION
1	C143,070,800.93	\$ 20.00	C155,070,300.13	\$ 20.00	C155,070,300.13	\$ 20.00	Assembly, Vend Mechanism
2	B143,070,600.73	5.00	B143,070,600.73	5.00	B143,070,600.73	5.00	W/A Vend Platform
3	900,900,900.01	.05	900,900,900.01	.05	900,900,900.01	.05	Retaining Ring
4	B143,070,050.93	.70	B143,070,050.93	.70	B143,070,050.93	.70	Linkage Left Arm
5	A800,501,590.01	.20	A800,501,590.01	.20	A800,501,590.01	.20	Roller pin spacer
6	A801,801,010.71	.10	A801,801,010.71	.10	A801,801,010.71	.10	Roller
7	900,700,600.01	.05	900,700,600.01	.05	900,700,600.01	.05	Washer
8	B143,070,040.93	.70	B143,070,040.93	.70	B143,070,040.93	.70	Linkage, Right Arm
9	900,800,510.01	.05	900,800,510.01	.05	900,800,510.01	.05	Stop Nut (elastic)
10	900,901,160.01	.05	900,901,160.01	.05	900,901,160.01	.05	Clip
11	900,500,740.31	.05	900,500,740.31	.05	900,500,740.31	.05	Rod roller
12	901,700,520.01	.30	901,700,520.01	.30	901,700,520.01	.30	Spring
13	804,100,300.01	1.50	804,100,300.01	1.50	804,100,300.01	1.50	Switch, Potter and Brumfield
14	A905,800,330.01	.05	A905,800,330.01	.05	A905,800,330.01	.05	Spacer Insulator
15	900,901,530.01	.05	900,901,530.01	.05	900,901,530.01	.05	Speed Nut (twin)
16	900,300,470.01	.05	900,300,470.01	.05	900,300,470.01	.05	Screw, S/M #4 x 3/4
17	900,901,780.01	.10	900,901,780.01	.10	900,901,780.01	.10	Cotter pin
18	804,300,110.01	6.50	804,300,110.01	6.50	804,300,110.01	6.50	Solenoid

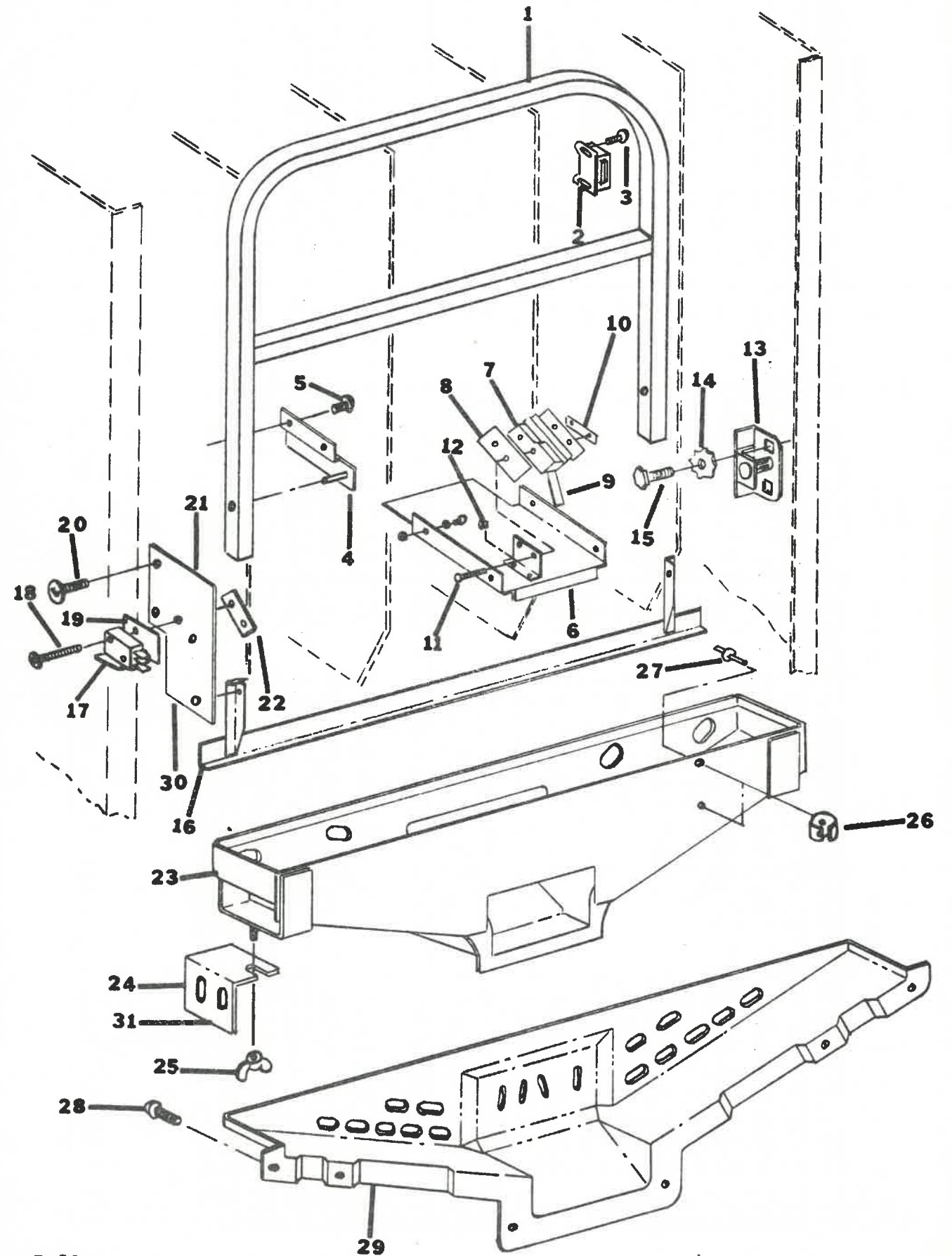
VEND MECHANISM



VEND MECHANISM

ITEM NO.	DN310-5 DN365-5	PRICE	DN372-6 DN438-6	PRICE	DN225-5 DN300-5 DN360-6	PRICE	PART NAME AND DESCRIPTION
1	C155,070,300.13	\$ 20.00	C155,070,300.13	\$ 20.00	C143,070,800.93	\$ 20.00	Assembly, Vend Mechanism
2	B143,070,600.73	5.00	B143,070,600.73	5.00	B143,070,600.73	5.00	W/A Vend Platform
3	900,900,900.01	.05	900,900,900.01	.05	900,900,900.01	.05	Retaining Ring
4	B143,070,050.93	.70	B143,070,050.93	.70	B143,070,050.93	.70	Linkage, Left Arm
5	A800,501,590.01	.20	A800,501,590.01	.20	A800,501,590.01	.20	Roller pin spacer
6	A801,801,010.71	.10	A801,801,010.71	.10	A801,801,010.71	.10	Roller
7	900,700,600.01	.05	900,700,600.01	.05	900,700,600.01	.05	Washer
8	B143,070,040.93	.70	B143,070,040.93	.70	B143,070,040.93	.70	Linkage, Right Arm
9	900,800,510.01	.05	900,800,510.01	.05	900,800,510.01	.05	Stop Nut (elastic)
10	900,901,160.01	.05	900,901,160.01	.05	900,901,160.01	.05	Clip
11	900,500,740.31	.05	900,500,740.31	.05	900,500,740.31	.05	Rod Roller
12	901,700,520.01	.30	901,700,520.01	.30	901,700,520.01	.30	Spring
13	804,100,300.01	1.50	804,100,300.01	1.50	804,100,300.01	1.50	Switch, Potter and Brumfield
14	A905,800,330.01	.05	A905,800,330.01	.05	A905,800,330.01	.05	Spacer Insulator
15	900,901,530.01	.05	900,901,530.01	.05	900,901,530.01	.05	Speed Nut (twin)
16	900,300,470.01	.05	900,300,470.01	.05	900,300,470.01	.05	Screw, S/M #4 x 3/4
17	900,901,780.01	.10	900,901,780.01	.10	900,901,780.01	.10	Cotter Pin
18	804,300,110.01	6.50	804,300,110.01	6.50	804,300,110.01	6.50	Solenoid

CABINET INTERIOR



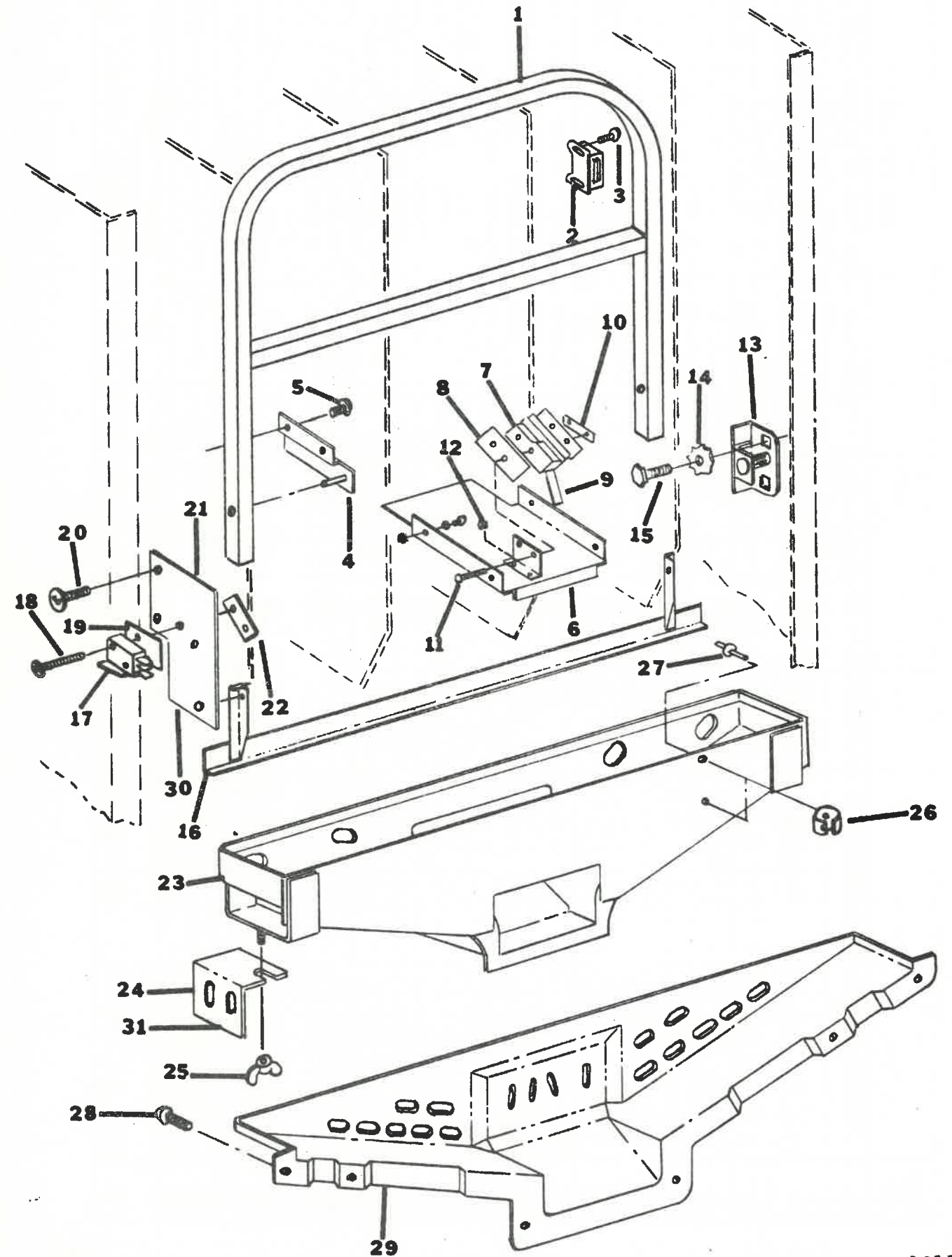
Parts List

DIXIE-NARCO

CABINET INTERIOR

ITEM NO.	DN150-5 DN175-5	PRICE	DN180-5 DN215-5	PRICE	DN225-5 DN240-5 DN275-5	PRICE	PART NAME AND DESCRIPTION
1	C142,070,200.63	\$ 4.00	C142,070,200.63	\$ 4.00	C142,071,400.83	\$ 4.00	Loading Platform, S/A
2					801,501,260.01	.50	Magnetic Catch
3					200,300,160.01	.05	Screw, Machine
4	A143,071,500.53	.80	A143,071,500.53	.80	A143,071,500.53	.80	Bracket, loading platform, S/A
5	900,200,420.01	.05	900,200,420.01	.05	900,200,420.01	.05	Screw, Machine, #8 x 3/2
6	C143,071,000.73	7.00	C143,071,000.73	7.00	C143,071,000.73	7.00	Can Retainer, S/A
7	A804,100,290.11	1.50	A804,100,290.11	1.50	A804,100,290.11	1.50	Switch
8	A905,800,330.11	.05	A905,800,330.11	.05	A905,800,330.11	.05	Spacer Insulator
9	A143,070,090.43	.50	A143,070,090.43	.50	A143,070,090.43	.50	Switch Lever
10	900,201,530.01	.05	900,201,530.01	.05	900,201,530.01	.05	Speed Nut
11	900,300,460.01	.05	900,300,460.01	.05	900,300,460.01	.05	Screw, S/M, #4 x 1-1/4
12	900,800,490.01	.05	900,800,490.01	.05	900,800,490.01	.05	Lockwasher
13	A143,020,400.73	2.50	A143,020,400.73	2.50	A143,020,400.73	2.50	Latch Strike, S/A
14	900,700,620.01	.05	900,700,620.01	.05	900,700,620.01	.05	Lockwasher
15	900,200,290.01	.10	900,200,290.01	.10	900,200,290.01	.10	Machine Screw, #10-24
16	B143,070,501.23	3.00	B143,070,501.23	3.00	B143,070,501.23	3.00	Release Bar, S/A
17	A804,100,300.11	1.50	A804,100,300.11	1.50	A804,100,300.11	1.50	Switch - release bar
18	900,300,470.01	.05	900,300,470.01	.05	900,300,470.01	.05	Screw, S/M, #4 x 3/4
19	A905,800,330.11	.05	A905,800,330.11	.05	A905,800,330.11	.05	Insulating spacer
20	900,200,420.01	.05	900,200,420.01	.05	900,200,420.01	.05	Screw, Machine #8-32
21	A143,070,300.43	.50	A143,070,300.43	.50	A143,070,300.43	.50	L.H. Mount Bracket, S/A
22	900,901,530.01	.05	900,901,530.01	.05	900,901,530.01	.05	Speed Nut, twin
23	C143,000,101.23	12.00	C143,000,101.23	12.00	C143,000,101.23	12.00	Can Chute, S/A
24	B143,000,070.13	.50	B143,000,070.13	.50	B143,000,070.13	.50	Support Bracket, L.H.
25	900,800,270.01	.05	900,800,270.01	.05	900,800,270.01	.05	Can Chute
26	900,901,590.01	.05	900,901,590.01	.05	900,901,590.01	.05	Wing Nut, #10-24
27	901,100,380.01	.05	901,100,380.01	.05	901,100,380.01	.05	Cable Clamp
28	NOT NEEDED		NOT NEEDED		NOT NEEDED		Rivet, Avdel
29	NOT NEEDED		NOT NEEDED		NOT NEEDED		
30	B143,000,080.13	.50	B143,000,080.13	.50	B143,000,080.13	.50	Support Bracket, R.H.
31	A143,070,200.43	.50	A143,070,200.43	.50	A143,070,200.43	.50	Can Chute R.H. Mount Bracket, S/A

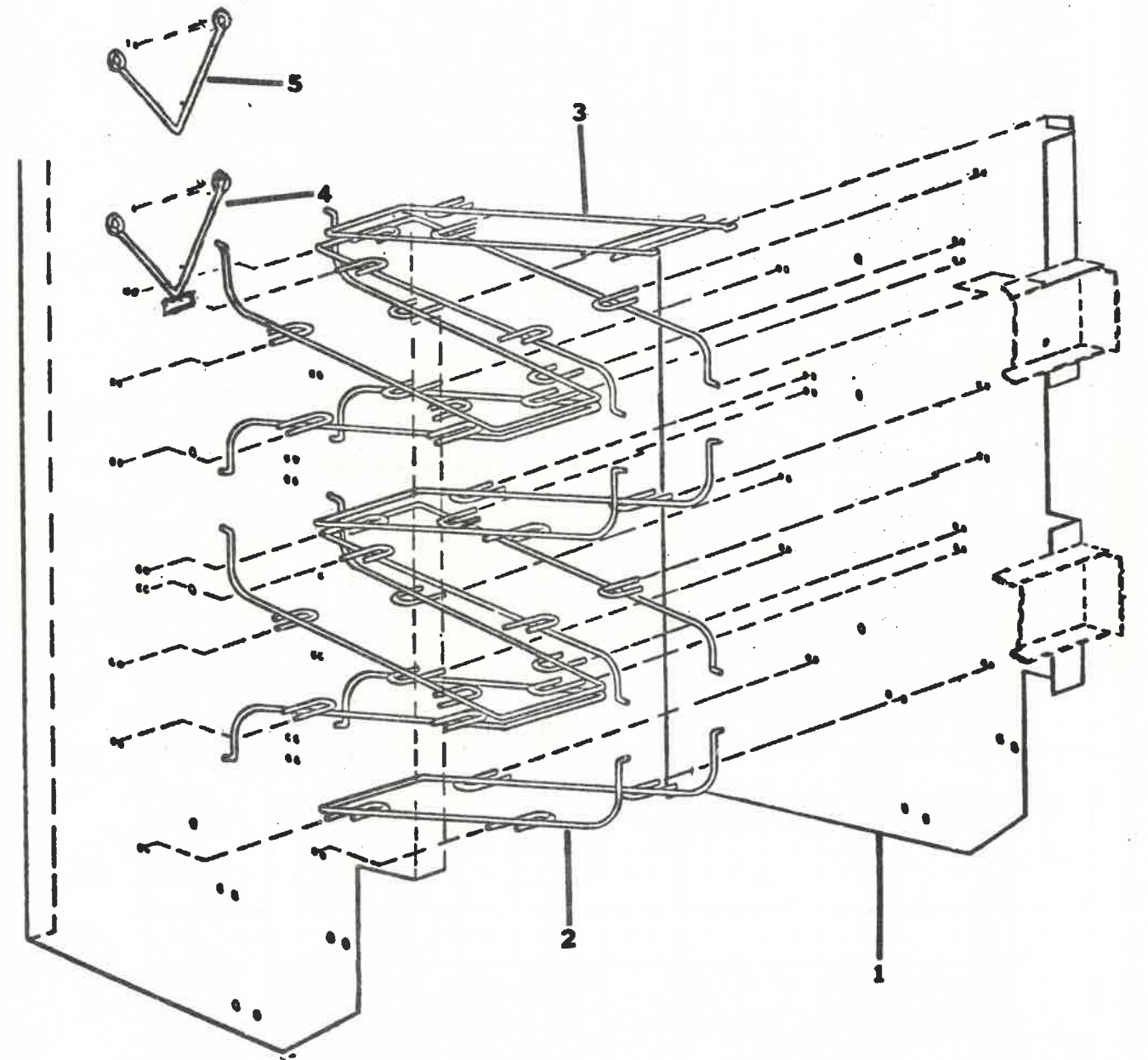
CABINET INTERIOR



CABINET INTERIOR

ITEM NO.	DN300-5 DN310-5 DN365-5	PRICE	DN360-6 DN372-6 DN438-6	PRICE	PART NAME AND DESCRIPTION
1	C143,071,400.83	\$ 4.00	C143,071,400.83	\$ 4.00	Loading Platform, S/A
2	801,501,360.01	.50	801,501,360.01	.50	Magnetic Catch
3	900,300,160.01	.05	900,300,160.01	.05	Screw, Machine
4	A143,071,500.52	.80	A143,071,500.52	.80	Bracket, loading platform, S/A
5	900,200,420.01	.05	900,200,420.01	.05	Screw, Machine, #8-32
6	C143,071,000.72	7.00	C143,071,000.72	7.00	Can Retainer, S/A
7	A804,100,290.01	1.50	A804,100,290.01	1.50	Switch
8	A905,800,330.11	.05	A905,800,330.11	.05	Spacer Insulator
9	A143,070,090.42	.50	A143,070,090.42	.50	Switch Lever
10	900,901,530.01	.05	900,901,530.01	.05	Speed Nut
11	900,300,460.01	.05	900,300,460.01	.05	Screw, S/M #4 x 1-1/4
12	900,800,490.01	.05	900,800,490.01	.05	Lockwasher
13	A143,020,400.72	2.50	A143,020,400.72	2.50	Latch Strike, S/A
14	900,700,620.01	.05	900,700,620.01	.05	Lockwasher
15	900,200,290.01	.10	900,200,290.01	.10	Screw, Machine, #10-24
16	B143,070,501.22	3.00	B143,070,501.22	3.00	Release Bar, S/A
17	A804,100,300.11	1.50	A804,100,300.11	1.50	Switch, release bar
18	900,300,470.01	.05	900,300,470.01	.05	Screw, S/M #4 x 3/4
19	A905,800,330.11	.05	A905,800,330.11	.05	Insulating spacer
20	900,200,420.01	.05	900,200,420.01	.05	Screw, Machine #8-32 x 1/2
21	A143,070,300.42	.50	A143,070,300.42	.50	L.H. Mount Bracket, S/A
22	901,901,530.01	.05	901,901,530.01	.05	Speed Nut, twin
23	C143,000,101.12	12.00			Can Chute, S/A
24	B143,000,070.12	.50			Support Bracket, L.H. Can Chute
25	900,800,270.01	.05			Wing Nut - #10-24
26	900,901,520.01	.05			Cable Clamp
27	901,100,380.01	.05			Rivet, Avdel
28			900,901,510.02	.05	Screw, Machine #10-32 x 5/8
29			D801,803,240.41	12.00	Can Chute
30	B143,000,080.12	.50			Support Bracket, R.H. Can Chute
31	A143,070,200.42	.50			R.H. Mount Bracket, S/A

COMPLETE VEND STACK AND WIRE FORMS



Parts List

1211

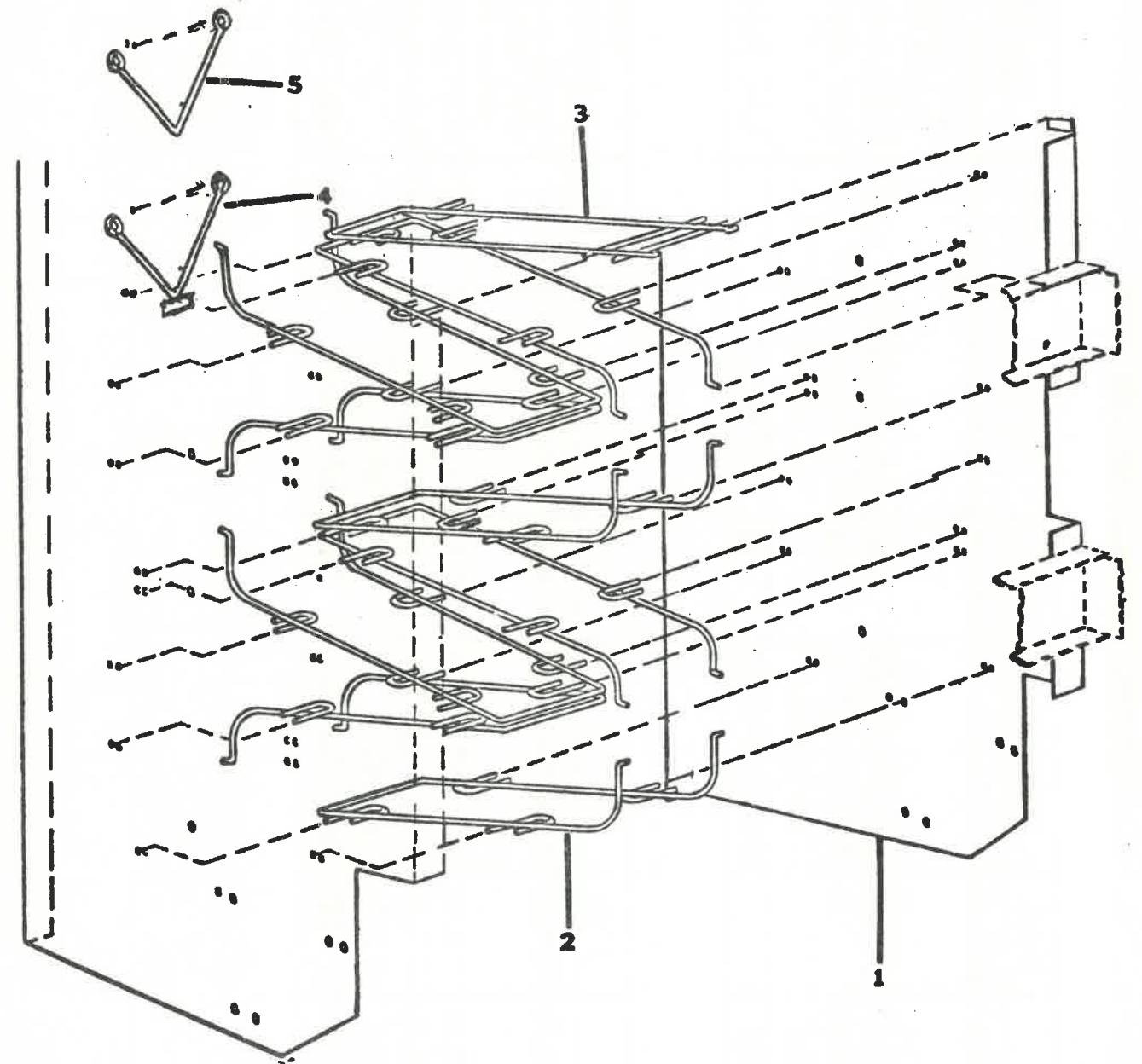
DIXIE-NARCO

COMPLETE VEND STACK AND WIRE FORMS

ITEM NO.	DN150-5	PRICE	DN175-5	PRICE	DN180-5	PRICE	PART NAME AND DESCRIPTION
1	C149,070,000.03	\$160.00	C142,070,001.63	\$180.00	C168,070,000.03	\$170.00	Mechanism Assembly, with Vend Mechanism and wiring harness
2	C801,400,810.31	.80	C801,400,810.31	.80	C801,400,930.01	1.00	Track, Serpentine
3	C801,400,820.31	.60	C801,400,820.31	.60	C801,400,940.11	.70	Feed Shelf
4	NOT NEEDED		NOT NEEDED		NOT NEEDED		
5	NOT NEEDED		B801,400,830.51	.10	NOT NEEDED		Gate, Feed Shelf

ITEM NO.	DN215-5	PRICE	DN225-5	PRICE	DN240-5	PRICE	PART NAME AND DESCRIPTION
1	C154,070,000.13	\$190.00	C143,070,002.13	\$170.00	C169,070,000.03	\$180.00	Mechanism Assembly, with Vend Mechanism and wiring harness
2	C801,400,930.01	1.00	C801,400,810.01	.80	C801,400,930.01	1.00	Track, Serpentine
3	C801,400,940.01	.70	C801,400,820.01	.60	C801,400,940.01	.70	Feed Shelf
4	NOT NEEDED		NOT NEEDED		NOT NEEDED		
5	B801,400,830.51	.10	B801,400,830.51	.10	NOT NEEDED		Gate, Feed Shelf

COMPLETE VEND STACK AND WIRE FORMS



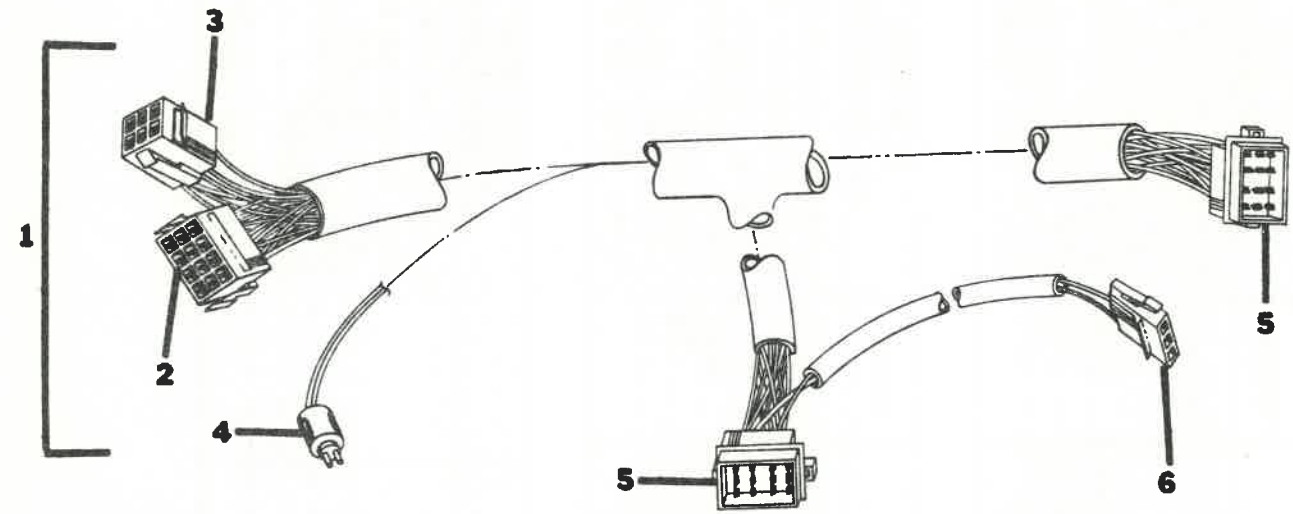
Parts List

DIXIE-NARCO

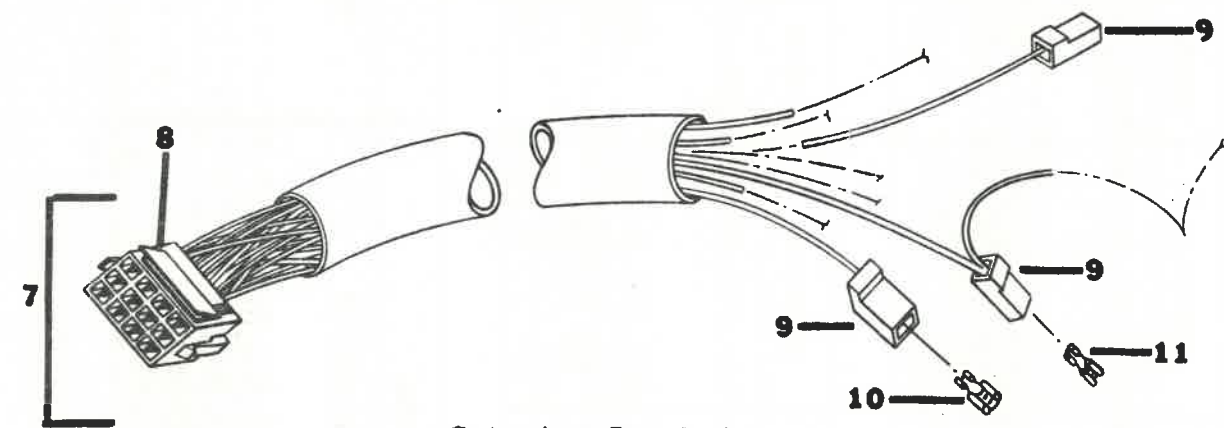
COMPLETE VEND STACK AND WIRE FORMS

ITEM NO.	DN275-5	PRICE	DN300-5	PRICE	DN310-5	PRICE	PART NAME AND DESCRIPTION
1	C155,070,000.13	\$200.00	C144,070,002.13	\$180.00	C170,070,000.03	\$190.00	Mechanism Assembly, with Vend Mechanism and wiring harness
2	C801,400,930.11	1.00	C801,400,810.31	.80	C801,400,930.11	1.00	Track, Serpentine
3	C801,400,940.11	.70	C801,400,820.51	.60	C801,400,940.11	.70	Feed Shelf
4	NOT NEEDED		NOT NEEDED		B170,070,100.03	.15	Gate, Feed Shelf, S/A
5	B801,400,830.51	.10	B801,400,830.41	.10	NOT NEEDED		Gate, Feed Shelf
ITEM NO.	DN365-5	PRICE	DN360-6	PRICE	DN372-6	PRICE	PART NAME AND DESCRIPTION
1	C156,070,000.03	\$210.00	C146,070,000.63	\$220.00	C171,070,000.03	\$230.00	Mechanism Assembly, with Vend Mechanism and wiring harness
2	C801,400,930.11	1.00	C801,400,810.31	.80	C801,400,930.01	1.00	Track, Serpentine
3	C801,400,940.11	.70	C801,400,820.51	.60	C801,400,940.11	.70	Feed Shelf
4	NOT NEEDED		NOT NEEDED		B170,070,100.03	.15	Gate, Feed Shelf, S/A
5	B801,400,830.51	.10	B801,400,830.51	.10	NOT NEEDED		Gate, Feed Shelf
ITEM NO.	DN438-6	PRICE	PART NAME AND DESCRIPTION				
1	C157,070,000.03	\$250.00	Mechanism Assembly, with Vend Mechanism and wiring harness				
2	C801,070,000.03		Track, Serpentine				
3	C801,400,940.11		Feed Shelf				
4	NOT NEEDED		Gate, Feed Shelf				
5	B801,400,830.51	.10	Gate, Feed Shelf				

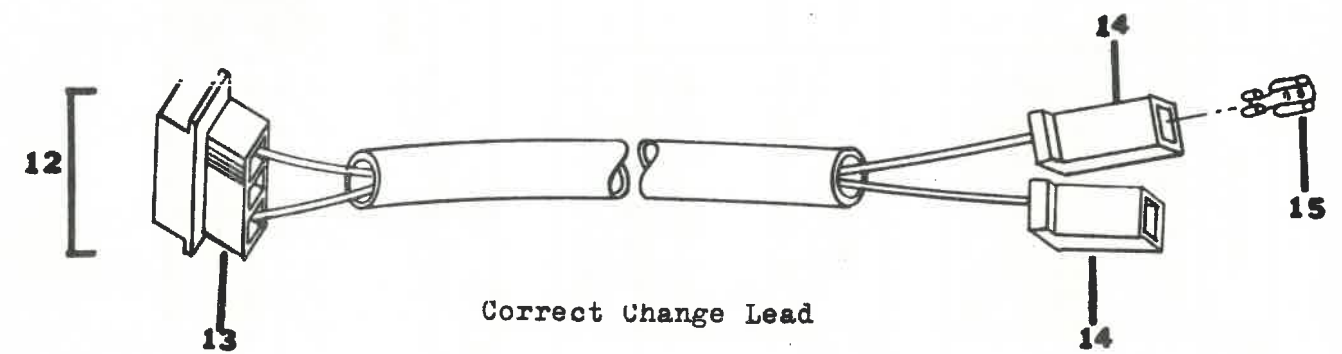
WIRING HARNESS - DOOR AND SELECTOR PANEL



Door Harness



Selector Panel Harness



Correct Change Lead

Parts List

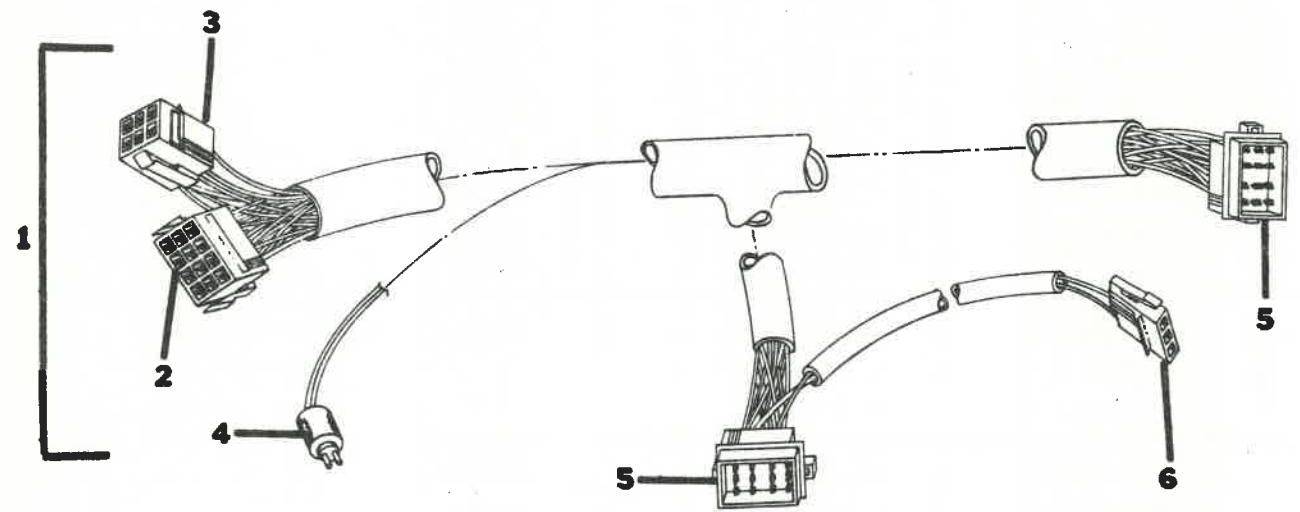
DIXIE-MARCO

1211

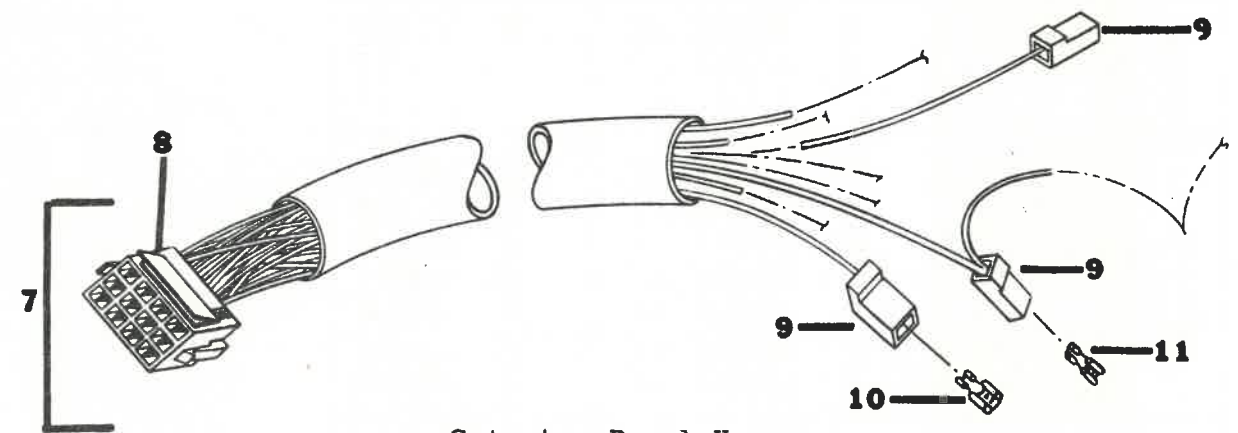
WIRING HARNESS - DOOR AND SELECTOR PANEL

ITEM NO.	DN150-5 DN175-5	PRICE	DN180-5 DN215-5	PRICE	DN225-5 DN240-5 DN275-5	PRICE	PART NAME AND DESCRIPTION
1	D143,051,800.73	\$18.00	D143,051,800.73	\$18.00	D143,051,800.73	\$18.00	Wiring Harness - Door
2	W144,010,200.04	1.50	W144,010,200.04	1.50	W144,010,200.04	1.50	Plug and Cap Kit
3	W144,010,200.04	1.50	W144,010,200.04	1.50	W144,010,200.04	1.50	Plug and Cap Kit
4	A904,200,280.21	1.00	A904,200,280.21	1.00	A904,200,280.01	1.00	Power Lead
5	904,600,340.01	.50	904,600,340.01	.50	904,600,340.01	.50	Amp Lock Cap (12 way)
6	904,600,470.01	.20	904,600,470.01	.20	904,600,470.01	.20	Amp Lock Plug (3 way)
7	C143,052,400.83	8.00	C143,052,400.83	8.00	C143,052,400.83	8.00	Wiring Harness - S/A, Selector Panel
8	904,600,330.01	.50	904,600,330.01	.50	904,600,330.01	.50	Amp Lock Plug (12 way)
9	904,600,540.01	.05	904,600,540.01	.05	904,600,540.01	.05	Receptacle Housing
10	904,600,520.01	.05	904,600,520.01	.05	904,600,520.01	.05	Faston Receptacle, single wire
11	904,600,530.01	.05	904,600,530.01	.05	904,600,530.01	.05	Faston Receptacle, double wire
12	A143,055,400.03	.80	A143,055,400.03	.80	A143,055,400.03	.80	Correct Change Lead Assembly
13	904,600,480.01	.20	904,600,480.01	.20	904,600,480.01	.20	Amp Lock Cap (3 way)
14	904,600,040.01	.05	904,600,040.01	.05	904,600,040.01	.05	Receptacle Housing
15	904,600,380.01	.05	904,600,380.01	.05	904,600,380.01	.05	Faston Receptacle

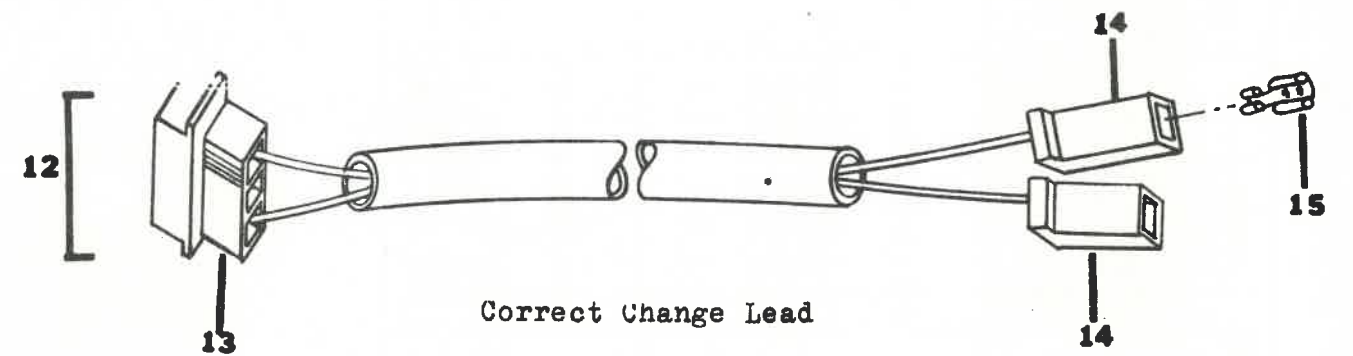
WIRING HARNESS - DOOR AND SELECTOR PANEL



Door Harness



Selector Panel Harness



Correct Change Lead

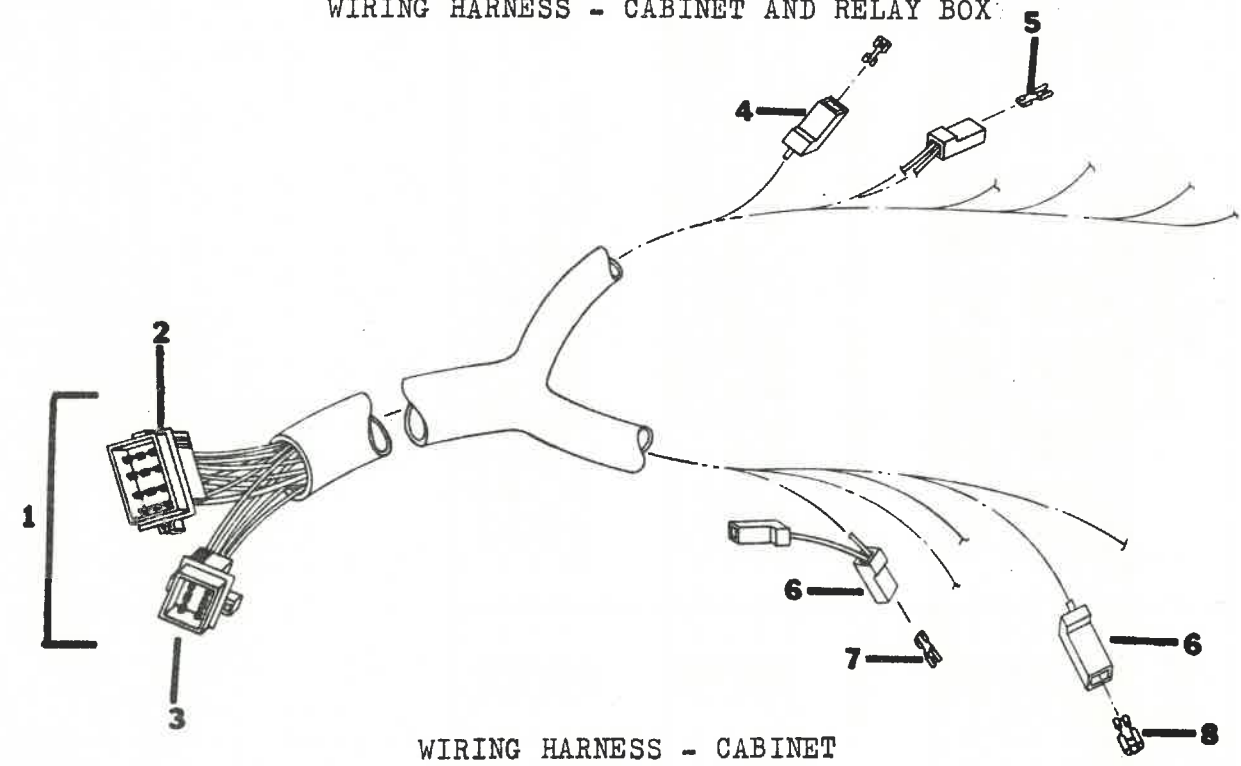
Parts List

DIXIE-NARCO

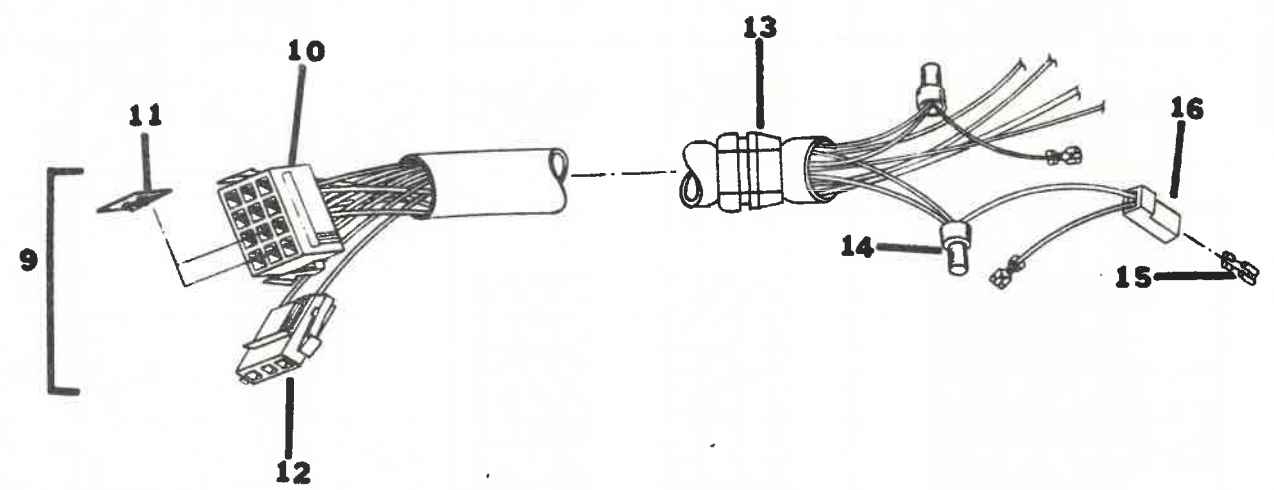
WIRING HARNESS - DOOR AND SELECTOR PANEL

ITEM NO.	DN300-5 DN310-5 DN365-5	PRICE	DN360-6 DN372-6 DN438-6	PRICE	PART NAME AND DESCRIPTION
1	D143,051,800.73	\$18.00	D146,051,800.43	\$18.00	Wiring Harness - Door
2	BM144,010,200.04	1.50	BM144,010,200.04	1.50	Plug and Cap Kit
3	BM144,010,200.04	1.50	BM144,010,200.04	1.50	Plug and Cap Kit
4	A904,900,980.31	1.00	A904,900,980.31	1.00	Power Lead
5	904,600,340.01	.50	904,600,340.01	.50	Amp Lock Cap (12 way)
6	904,600,470.01	.20	904,600,470.01	.20	Amp Lock Plug (3 way)
7	C143,052,400.83	8.00	B146,054,300.43	8.00	Wiring Harness, S/A, Selector Panel
8	904,600,330.01	.50	904,600,330.01	.50	Amp Lock Plug (12 way)
9	904,600,540.01	.05	904,600,540.01	.05	Receptacle Housing
10	904,600,520.01	.05	904,600,520.01	.05	Faston Receptacle, single wire
11	904,600,530.01	.05	904,600,530.01	.05	Faston Receptacle, double wire
12	A143,055,400.03	.80	A143,055,400.03	.80	Correct Change Lead Assembly
13	904,600,480.01	.20	904,600,480.01	.20	Amp Lock Cap (3 way)
14	904,600,040.01	.05	904,600,040.01	.05	Receptacle Housing
15	904,600,380.01	.05	904,600,380.01	.05	Faston Receptacle

WIRING HARNESS - CABINET AND RELAY BOX



WIRING HARNESS - CABINET



WIRING HARNESS - RELAY BOX

Parts List

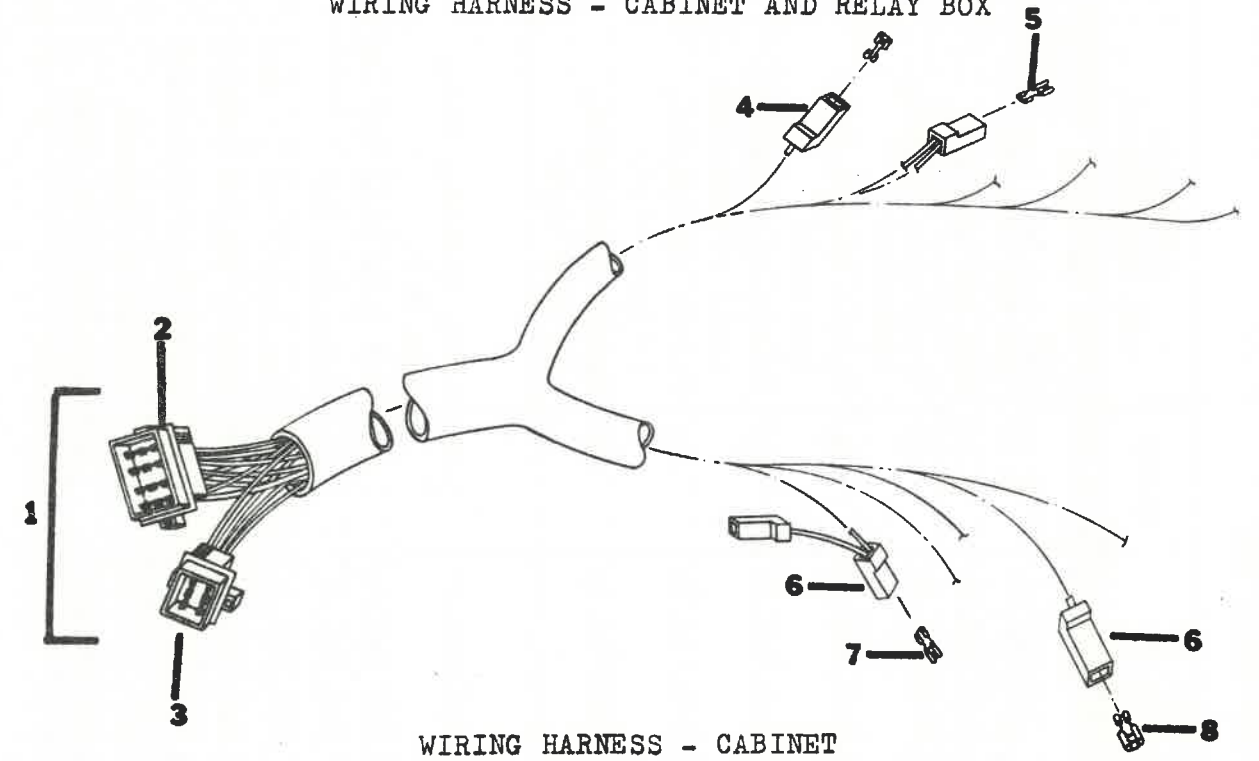
1211

DIXIE-NARCO

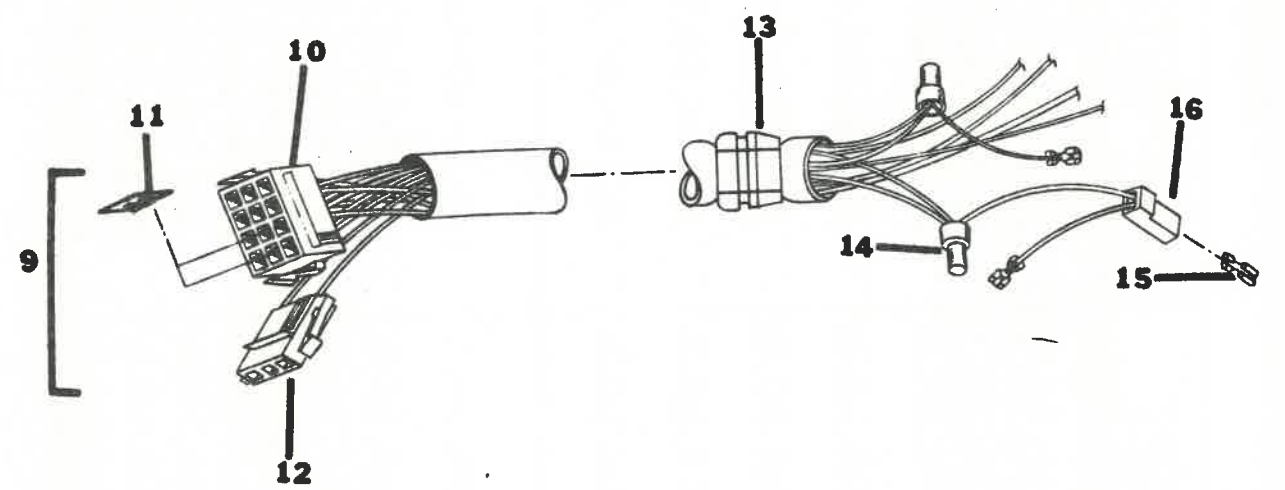
WIRING HARNESS - CABINET AND RELAY BOX

ITEM NO.	DN150-5 DN175-5	PRICE	DN180-5 DN215-5	PRICE	DN225-5 DN240-5 DN275-5	PRICE	PART NAME AND DESCRIPTION
1	D143,071,101.03	\$ 25.00	D143,071,101.03	\$ 25.00	D143,071,101.03	\$ 25.00	Wiring Harness, Cabinet
2	BM144,010,200.04	1.50	BM144,010,200.04	1.50	BM144,010,200.04	1.50	S/A Plug and Cap Kit
3	BM144,010,200.04	1.50	BM144,010,200.04	1.50	BM144,010,200.04	1.50	Plug and Cap Kit
4	904,600,040.01	.05	904,600,040.01	.05	904,600,040.01	.05	Receptacle Housing (solenoid)
5	904,600,380.01	.05	904,600,380.01	.05	904,600,380.01	.05	Faston Receptacle (solenoid)
6	904,600,540.01	.05	904,600,540.01	.05	904,600,540.01	.05	Receptacle Housing, (sold out switch)
7	904,600,520.01	.05	904,600,520.01	.05	904,600,520.01	.05	Faston Receptacle, (single wire)
8	904,600,530.01	.05	904,600,530.01	.05	904,600,530.01	.05	Faston Receptacle, (double wire)
9	C143,054,100.23	5.00	C143,054,100.23	5.00	C143,054,100.23	5.00	Wiring Harness, Relay Box, S/A
10	904,600,330.01	.50	904,600,330.01	.50	904,600,330.01	.50	Amp Lock Plug (12 way)
11	904,600,370.01	.05	904,600,370.01	.05	904,600,370.01	.05	Commoning Bar
12	904,600,470.01	.20	904,600,470.01	.20	904,600,470.01	.20	Amp Lock Plug (3 way)
13	904,800,180.01	.20	904,800,180.01	.20	904,800,180.01	.20	Strain Relief Bushing
14	902,300,830.02	.10	902,300,830.02	.10	802,300,830.02	.10	Crimp Type connectors
15	904,600,520.01	.05	904,600,520.01	.05	904,600,520.01	.05	Faston Receptacle
16	904,600,540.01	.05	904,600,540.01	.05	904,600,540.01	.05	Receptacle Housing

WIRING HARNESS - CABINET AND RELAY BOX



WIRING HARNESS - CABINET

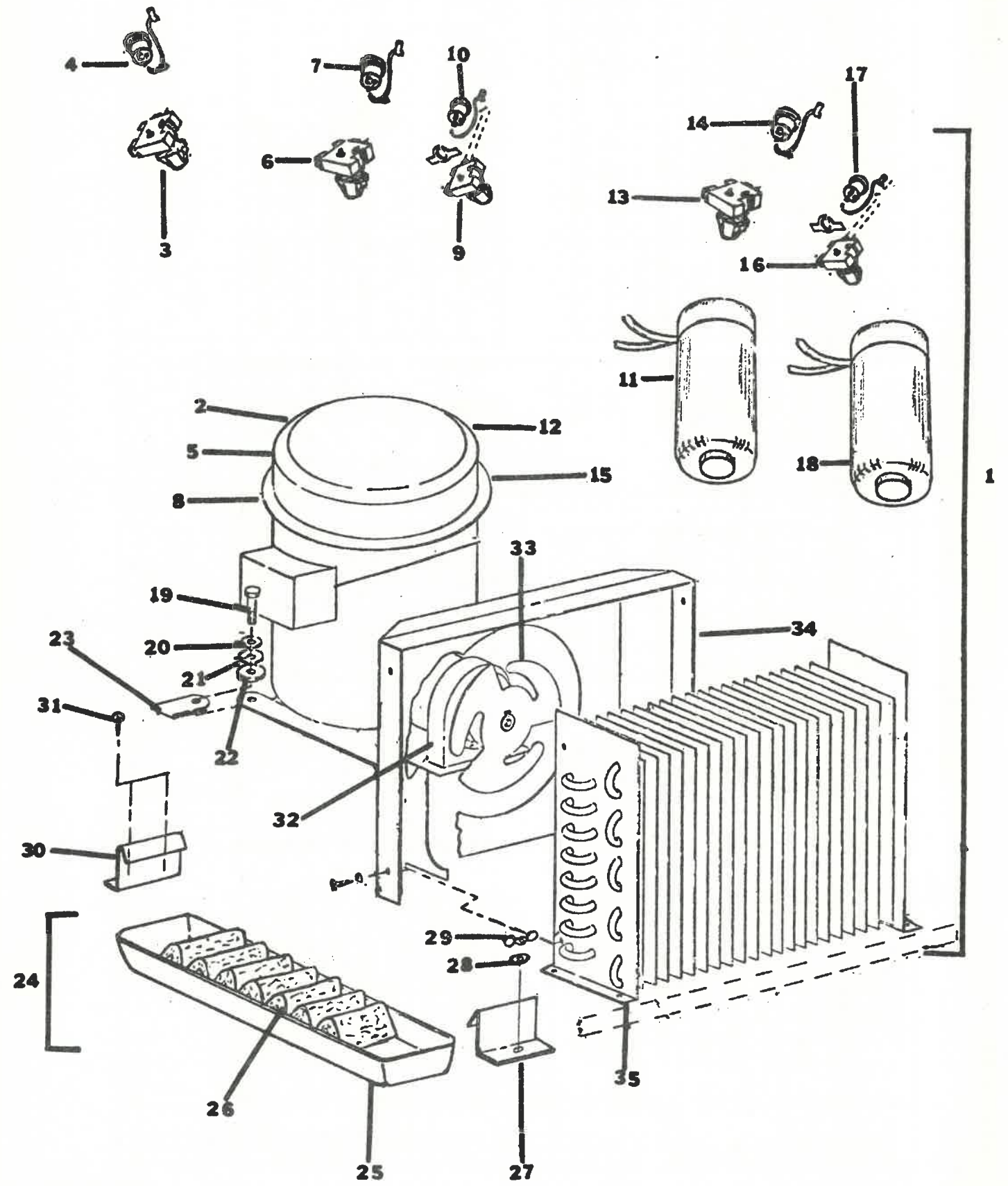


WIRING HARNESS - RELAY BOX

WIRING HARNESS - CABINET AND RELAY BOX

ITEM NO.	DN300-5 DN310-5 DN365-5	PRICE	DN360-6 DN372-6 DN438-6	PRICE	PART NAME AND DESCRIPTION
1	D143,071,101.03	\$ 25.00	F146,070,400.43	\$ 25.00	Wiring Harness, Cabinet, S/A
2	BMI44,010,200.04	1.50	BMI44,010,200.04	1.50	Plug and Cap Kit
3	BMI44,010,200.04	1.50	BMI44,010,200.04	1.50	Plug and Cap Kit
4	904,600,040.01	.05	904,600,040.01	.05	Receptacle Housing (solenoid)
5	904,600,380.01	.05	904,600,380.01	.05	Faston Receptacle (solenoid)
6	904,600,540.01	.05	904,600,540.01	.05	Receptacle Housing (sold out switch)
7	904,600,520.01	.05	904,600,520.01	.05	Faston Receptacle (single wire)
8	904,600,530.01	.05	904,600,530.01	.05	Faston Receptacle (double wire)
9	C143,054,100.23	5.00	C143,054,100.23	5.00	Wiring Harness, Relay Box, S/A
10	904,600,330.01	.50	904,600,330.01	.50	Amp Lock Plug (12 way)
11	904,600,370.01	.05	904,600,370.01	.05	Commoning Bar
12	904,600,470.01	.20	904,600,470.01	.20	Amp Lock Plug (3 way)
13	904,800,180.01	.20	904,800,180.01	.20	Strain Relief Bushing
14	902,300,830.02	.10	902,300,830.02	.10	Crimp Type Connectors
15	904,600,520.01	.05	904,600,520.01	.05	Faston Receptacle
16	904,600,540.01	.05	904,600,540.01	.05	Receptacle Housing

REFRIGERATION SYSTEM



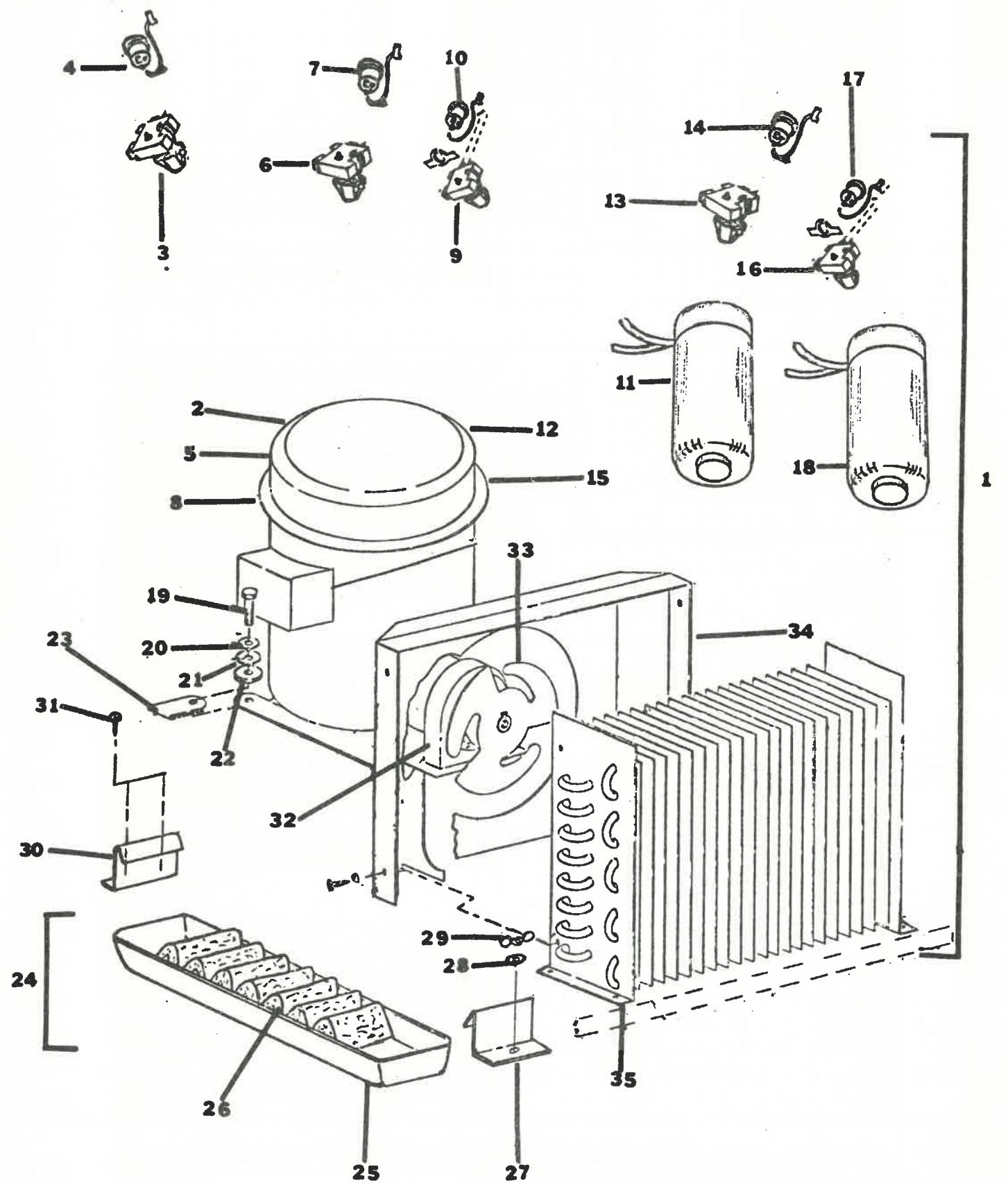
Parts List

DIXIE-NARCO

REFRIGERATION SYSTEM

ITEM NO.	DN150-5 DN175-5	PRICE	DN180-5 DN215-5	PRICE	DN225-5 DN240-5 DN275-5	PRICE	
1	F142,040,400,63	\$175.00	F142,040,400,63	\$175.00	F143,040,400,53	\$190.00	Refrigeration Assembly
2	802,500,110,01	70.00	802,500,110,01	70.00			Compressor, Tec. AE3430A
3	82684	2.70	82684	2.70			Relay for, Tec. AE3430A
4	83751	2.40	83751	2.40			Overload, Tec. AE3430A
5					802,500,170,01	80.00	Compressor, Tec. AE3440A
6					8209660A09	2.70	Relay for, Tec. AE3440A
7					8300MRTA78	2.40	Overload, Tec. AE3440A
8	Not Needed		Not Needed		Not Needed		
9	Not Needed		Not Needed		Not Needed		
10	Not Needed		Not Needed		Not Needed		
11	Not Needed		Not Needed		Not Needed		
12	802,500,230,01	70.00	802,500,230,01	70.00			Compressor, B-W, YCH25V1A
13	BW1456-728	3.60	BW1456-728	3.60			Relay for, B-W, YCH25V1A
14	BW1456-830	3.10	BW1456-830	3.10			Overload, B-W, YCH25V1A
15					802,500,240,01	80.00	Compressor, B-W, YCH33V1A
16					BW1456-728	3.60	Relay for, B-W, YCH33V1A
17					BW1456-831	3.10	Overload, B-W, YCH33V1A
18					BW1509-132	5.40	Capacitor, B-W, YCH33V1A
19	900,902,060,02	.05	900,902,060,02	.05	900,902,060,02	.05	Cap Screw, 5/16-18x1/4
20	900,700,360,01	.05	900,700,360,01	.05	900,700,360,01	.05	Lockwasher, 5/16 split
21	900,700,080,01	.05	900,700,080,01	.05	900,700,080,01	.05	Flat Washer
22	902,000,430,01	.05	902,000,430,01	.05	902,000,430,01	.05	Grommet
23	900,900,660,01	.05	900,900,660,01	.05	900,900,660,01	.05	J Nut
24	B71,041,200,73	2.50	B71,041,200,73	2.50	B71,041,200,73	2.50	Pan and Soakers Assembly
25	A71,040,240,53	1.10	A71,040,240,53	1.10	A71,040,240,53	1.10	Condensate Pan
26	901,900,020,01	.30	901,900,020,01	.30	901,900,020,01	.30	Soakers
27	A73,020,220,73	.50	A73,020,220,73	.50	A73,020,220,73	.50	Retainer Clip
28	903,000,170,02	.05	903,000,170,02	.05	903,000,170,02	.05	Lockwasher
29	900,800,270,01	.05	900,800,270,01	.05	900,800,270,01	.05	Wing Nut
30	B143,000,040,33	.50	B143,000,040,33	.50	B143,000,040,33	.50	Pan Retainer
31	900,200,390,01	.05	900,200,390,01	.05	900,200,390,01	.05	Screw, Sems
32	802,302,120,02	10.00	802,302,120,02	10.00	802,302,120,02	10.00	Fan Motor
33	900,103,270,02	1.30	900,103,270,02	1.30	900,103,270,02	1.30	Fan Blade
34	900,102,970,02	.50	900,102,970,02	.50	900,102,970,02	.50	Shroud
35	D808,700,090,32	12.00	D808,700,090,32	12.00	D808,700,090,32	12.00	Condenser

REFRIGERATION SYSTEM



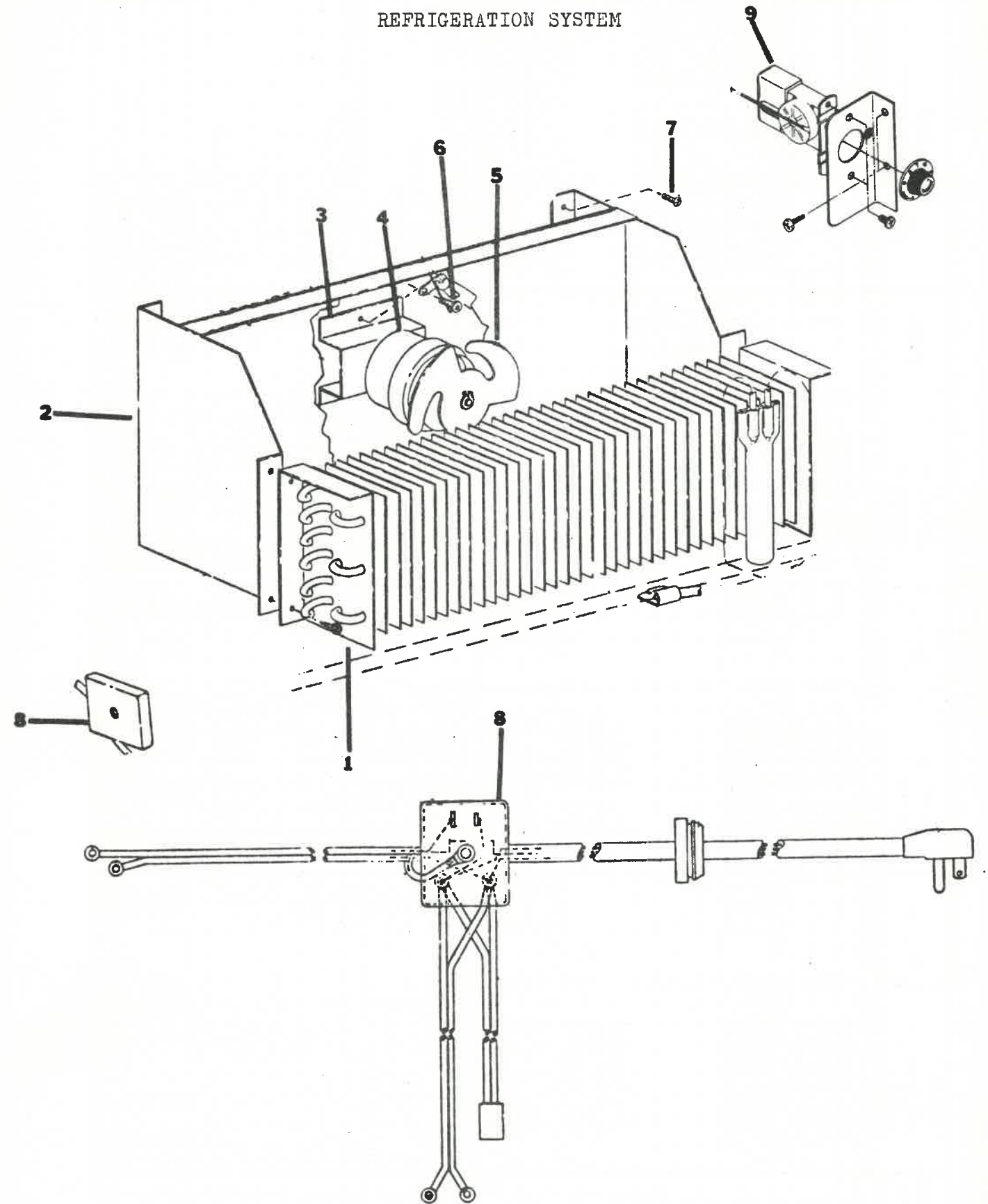
Parts List

REFRIGERATION SYSTEM

DIXIE-NARCO

ITEM NO.	DN300-5 DN310-5 DN365-5	PRICE	DN372-6 DN438-6	PRICE	DN360-6 DN438-6	PRICE	PART NAME AND DESCRIPTION
1	F143,040,400,53	\$190.00	F143,040,400,53	\$190.00	C146,040,000,31	\$215.00	Refrigeration Assembly
2	Not Needed	-	Not Needed	-	Not Needed	-	-
3	Not Needed	-	Not Needed	-	Not Needed	-	-
4	Not Needed	-	Not Needed	-	Not Needed	-	-
5	802,500,170,01	80.00	802,500,170,01	80.00	-	-	Compressor, Tec. AE3440A
6	8209660A09	2.70	8209660A09	2.70	-	-	Relay for Tec. AE3440A
7	8300MRTA78	2.40	8300MRTA78	2.40	-	-	Overload, Tec. AE3440A
8	-	-	-	-	802,500,190,01	100.00	Compressor, Tec. CAJ2612
9	-	-	-	-	82915	2.70	Relay for Tec. CAJ2612
10	-	-	-	-	83919	2.40	Overload, Tec. CAJ2612
11	-	-	-	-	85632-2235-282	8.00	Capacitor, Tec. CAJ2612
12	Not Needed	-	Not Needed	-	Not Needed	-	-
13	Not Needed	-	Not Needed	-	Not Needed	-	-
14	Not Needed	-	Not Needed	-	Not Needed	-	-
15	802,500,240,01	80.00	802,500,240,01	80.00	-	-	Compressor, B-W, YCH25V1A
16	BW1456-728	2.60	BW1456-728	2.60	-	-	Relay for, B-W, YCH25V1A
17	BW1456-831	2.10	BW1456-831	2.10	-	-	Overload, B-W, YCH25V1A
18	BW1509-132	5.40	BW1509-132	5.40	-	-	Capacitor, B-W, YCH25V1A
19	900,902,060,02	-	900,902,060,02	-	900,902,060,02	.05	Cap Screw, 5/16-18 x 1 1/4
20	900,700,360,01	-	900,700,360,01	-	900,700,360,01	.05	Lockwasher, 5/16 split
21	900,700,080,01	-	900,700,080,01	-	900,700,080,01	.05	Flat Washer
22	902,000,430,01	-	902,000,430,01	-	902,000,430,01	.05	Grommet
23	900,900,660,01	-	900,900,660,01	-	900,900,660,01	.05	J Nut
24	B71,041,200,73	2.50	B71,041,200,73	2.50	B71,041,200,73	2.50	Pan and Soakers Assembly
25	A71,040,240,53	1.10	A71,040,240,53	1.10	A71,040,240,53	1.10	Condensate Pan
26	901,900,020,01	.30	901,900,020,01	.30	901,900,020,01	.30	Soakers
27	A73,020,220,73	.50	A73,020,220,73	.50	A73,020,220,73	.50	Retainer Clip
28	903,000,170,02	.05	903,000,170,02	.05	903,000,170,02	.05	Lockwasher
29	900,800,270,01	.05	900,800,270,01	.05	900,800,270,01	.05	Wing Nut
30	B143,000,040,33	.50	B143,000,040,33	.50	B143,000,040,33	.50	Pan Retainer
31	900,200,390,01	.05	900,200,390,01	.05	900,200,390,01	.05	Screw, Sems
32	802,302,120,02	10.00	802,302,120,02	10.00	804,500,290,01	10.00	Fan Motor
33	900,103,370,02	1.30	900,103,370,02	1.30	801,302,560,01	1.30	Fan Blade
34	900,102,970,02	.50	900,102,970,02	.50	805,800,340,01	.50	Shroud
35	D808,700,090,32	12.00	D808,700,090,32	12.00	808,700,300,22	12.00	Condenser

REFRIGERATION SYSTEM



Parts List

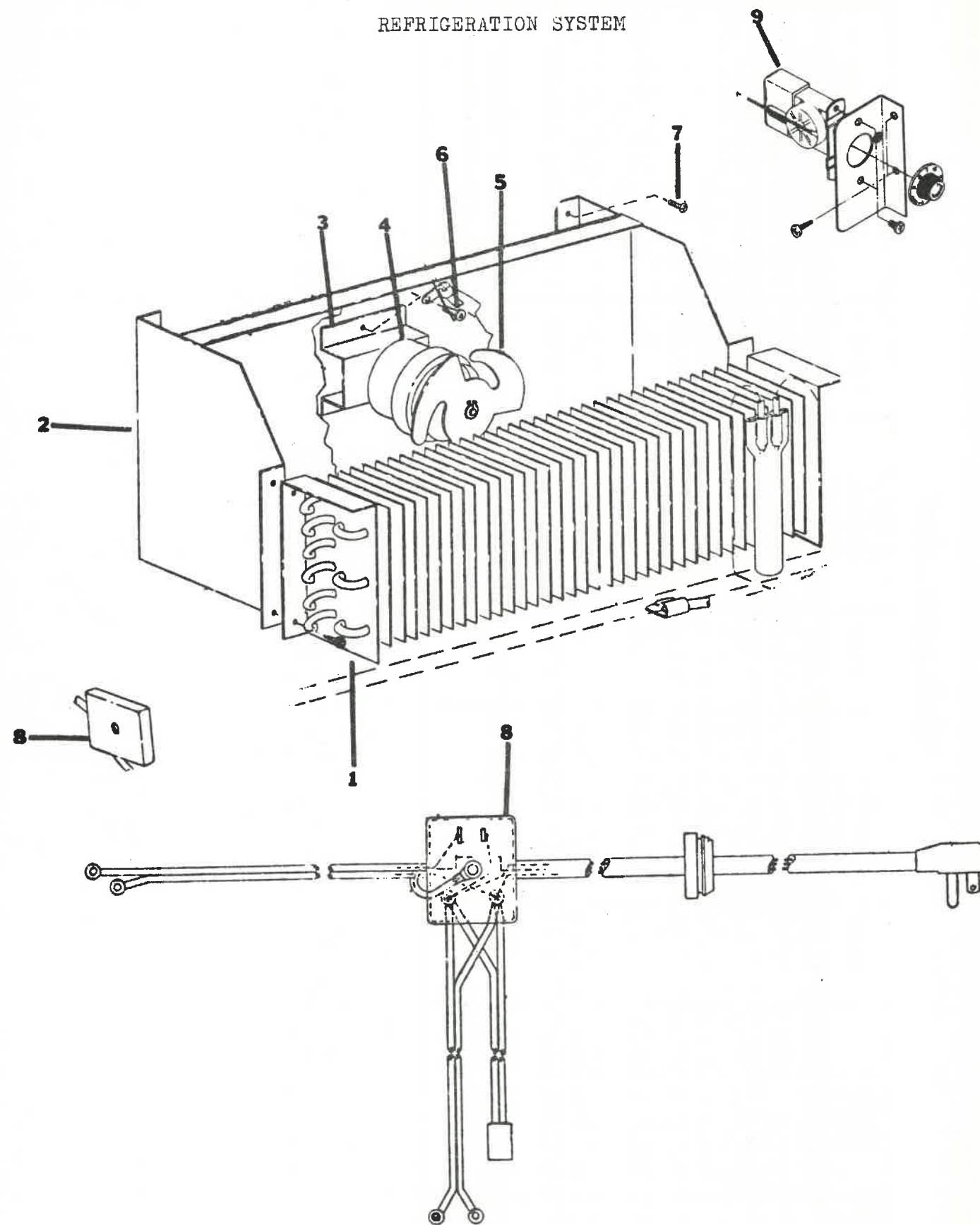
4211

DIXIE-NARCO

REFRIGERATION SYSTEM

ITEM NO.	DN150-5 DN175-5	PRICE	DN180-5 DN215-5	PRICE	DN225-5 DN240-5 DN275-5	PRICE	PART NAME AND DESCRIPTION
1	C802,600,370.21	18.00	C802,600,370.21	18.00	C802,600,370.21	\$ 18.00	Evaporator
2	C143,040,100.13	7.00	C143,040,100.13	7.00	C143,040,100.03	7.00	Fan Housing, W/A
3	B143,040,070.03	.50	B143,040,070.03	.50	B143,040,070.03	.50	Bracket, Fan Motor
4	802,302,120.02	10.00	802,302,120.02	10.00	802,302,120.02	10.00	Fan Motor
5	900,103,370.02	1.30	900,103,370.02	1.30	900,103,370.02	1.30	Fan Blade
6	900,300,320.01	.05	900,300,320.01	.05	900,300,320.01	.05	Screw, Self Tapping, #10-24 x 3/4
7	900,600,230.01	.05	900,600,230.01	.05	900,600,230.01	.05	Screw, S/M, #8 x 1/2
8	A143,000,200.33	8.00	A143,000,200.33	8.00	A143,000,200.33	8.00	Main Wiring Harness, S/A
9	EM143,011,900.04	8.50	EM143,011,900.04	8.50	EM143,011,900.04	8.50	Temperature Control Kit w/Service Bulletin #122

REFRIGERATION SYSTEM



Parts List

DIXIE-NARCO

REFRIGERATION SYSTEM

ITEM NO.	DN300-5 DN310-5 DN365-5	PRICE	DN372-6 DN438-6	PRICE	DN360-6	PRICE	PART NAME AND DESCRIPTION
1	C802,600,370.21	\$ 18.00	C802,600,370.21	\$ 18.00	C802,600,340.31	\$ 18.00	Evaporator, Specify System Model Number
2	C143,040,100.13	7.00	C171,040,100.13	7.00	C171,040,100.13	7.00	Fan Housing, W/A
3	B143,040,070.03	.50	B143,040,070.03	.50	B143,040,070.03	.50	Bracket, Fan Motor
4	802,302,120.02	10.00	802,302,120.02	10.00	802,302,120.02	10.00	Fan Motor
5	900,103,370.02	1.30	900,103,370.02	1.30	900,103,370.02	1.30	Fan Blade
6	900,300,320.01	.05	900,300,320.01	.05	900,300,320.01	.05	Screw, Self Tapping, #10-24 x 3/4
7	900,600,230.01	.05	900,600,230.01	.05	900,600,230.01	.05	Screw, S/M #8x1/2
8	A143,000,200.33	8.00	A143,000,200.33	8.00	A143,000,200.33	8.00	Main Wiring Harness, S/A
9	BM143,011,900.04	8.50	BM143,011,900.04	8.50	BM143,011,900.04	8.50	Temperature Control Kit w/Service Bulletin #122

